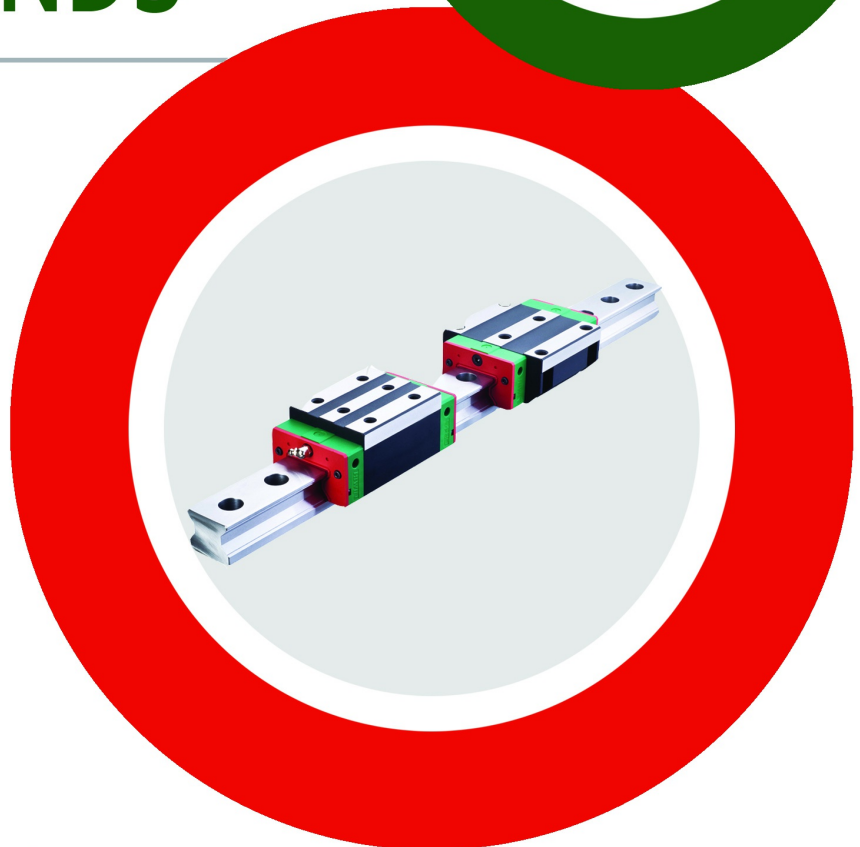
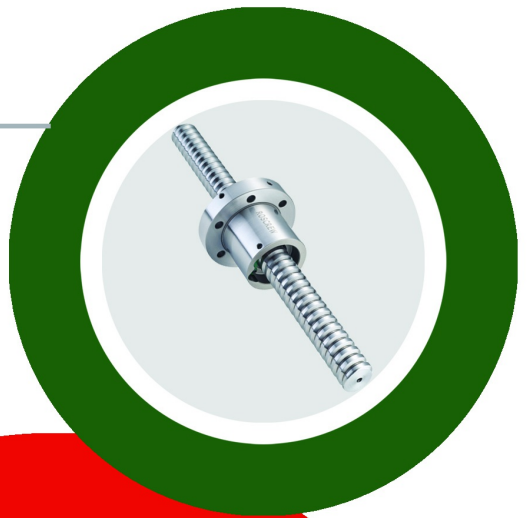




**ORBIT ENGINEERING
ENTERPRISES**

**YOU'RE IN
GOOD HANDS**



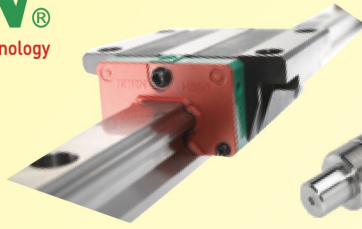
www.orbitengineering.co

HIWIN®

Motion Control and System Technology



D D Motor



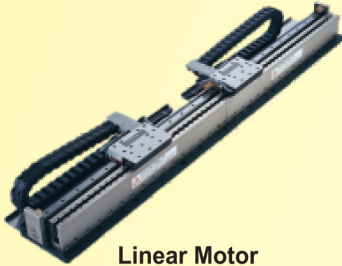
Roller Guideways



Ball Screw



AC Servo Drive & Motor



Linear Motor



Rotary Table

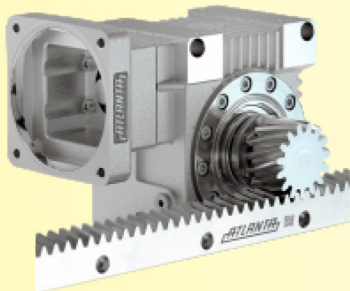


Articulated Robot

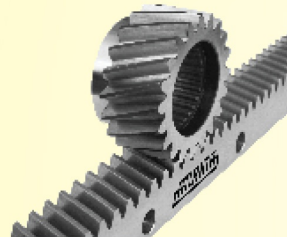
ATLANTA

www.atlantagmbh.de

Leader in Servo Drive Systems



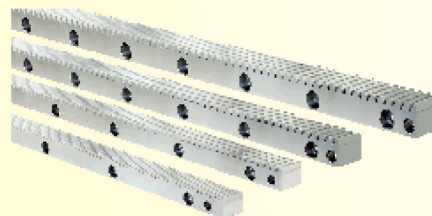
Servo Worm Gear Box



Rack & Pinion



Motorised Linear Actuator

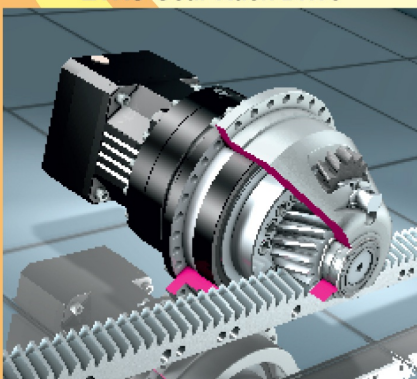


Strong Line Racks

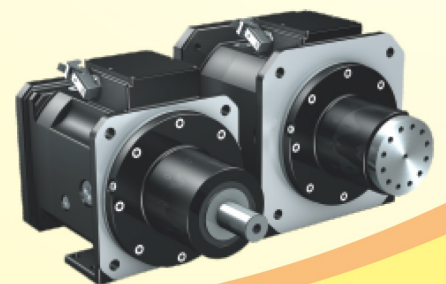


STÖBER

ZTRS Gear Rack Drive



Planetary Gear Units



PS Two-Speed Gearbox

INTRODUCTION



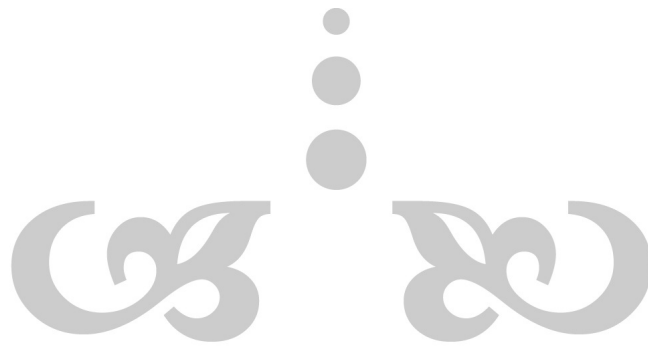
With the fast development in the field of industrial automation and rapid progress in production techniques, it is necessary to implement flexible and compatible systems in production. ORBIT ENGINEERING ENTERPRISES advocates a Total Solution approach to all your needs.

ORBIT ENGINEERING ENTERPRISES with its 12 years experience in linear motion and automation products, is positioned to source high quality products at economical prices from various parts of the world. We also provides solutions custom tailored to specific needs.

Our dedicated team of Technical & Sales people keep an eye on ever changing demands of Industries. Our technical expertise is always focused on the customer , recommending right components and the right systems suitable for various applications

These products are widely used by popular manufacturers in fields of

- Machine Tools
- Measuring / Inspection Machines
- SPM's
- Welding Automation
- Robotics
- Diamond Processing
- Electronics
- Earth Moving Machinery
- Printing
- Painting
- Pharmaceutical
- Medical
- Packaging
- General Engineering Industry & similar related Industrial Machineries.



**THE REAL DEVELOPMENT
OF THE SOCIETY IS ITS CAPACITY
TO CREATE THINGS**



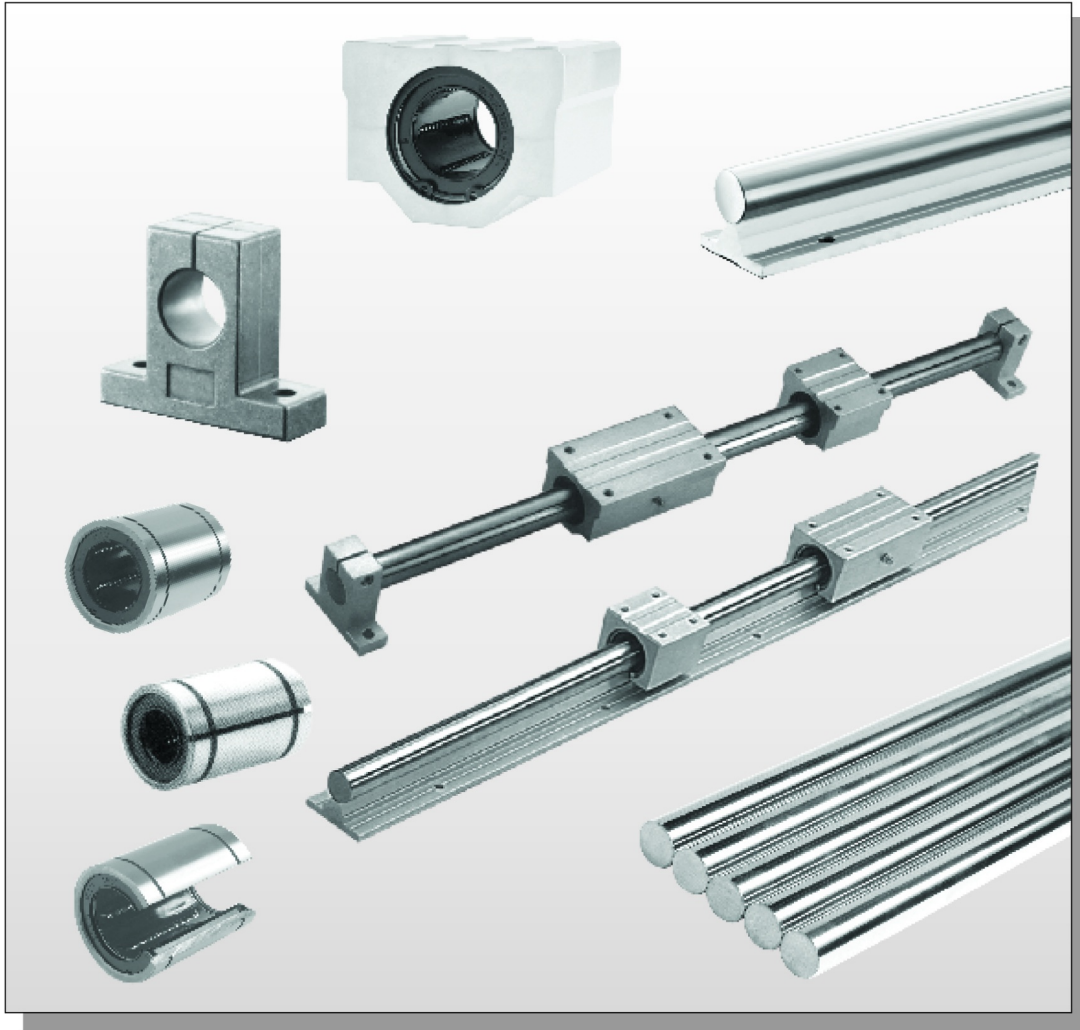
www.orbitengineering.co

CONTENTS



Description	Page
● Linear Shaft	1 - 4
● Linear Bearings	5 - 10
● LM Slide Units (Shaft & Ball Bushes)	11 - 12
● Housing & Support Units	13 - 20
● High Speed Guides	21 - 24
● Ball Screws Support Unit	25 - 30
● Lock Nuts	31 - 32
● Cross Roller Guides	33 - 34
● LFI Series	35 - 37
● Lead Screws	38 - 40
● Single Axis Robot & Application Examples	41

LINEAR SHAFT GUIDANCE SYSTEMS



- Linear Shafts
- Linear Bearing & Housing Units
- Shaft Supports & Accessories

Linear Motion Shafts have high surface hardness, exceptional straightness and surface finish which are the basic needs for Linear Ball Bushings.

Above qualities of Shafts incredibly reduce friction and wear, enhancing Shaft and Machine life.

A wide variety of Custom Designed Shafts can be delivered, including Tapped Holes, Inch Sizes, Special Machining and keyways along the length or at the ends of the Shaft.

Shafts are **Hard Chrome Plated** ensuring maximum safety against corrosion. This is a standard feature available from stock.

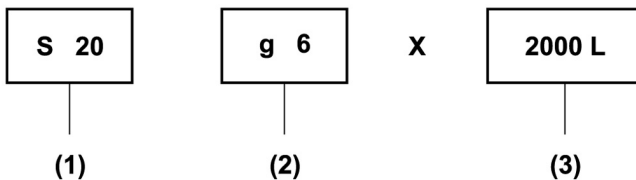
LM-SHAFT SPECIFICATIONS :

- | | |
|-------------------------|---|
| 1. Main Material | : C 45 ★ |
| 2. Heat Treatment | : High Frequency
Induction hardening |
| 3. Hardness | : Hrc 58-62 |
| 4. Surface Roughness | : Polished, Ra<= 0.8μ |
| 5. Shaft Straightness | : Within 50μ
per 300mm |
| 6. Tolerance | : g6 |
| 7. Corrosion Protection | : Hard Chrome
Plating |

★ Other Material on Request.

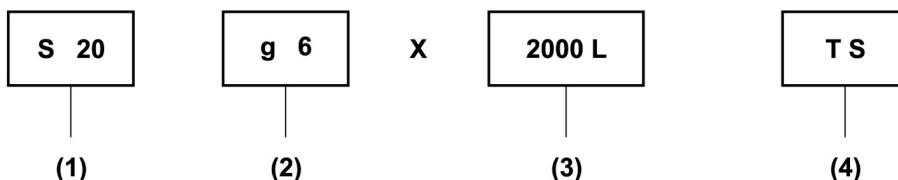
ORDERING EXAMPLE

Plain Shafts



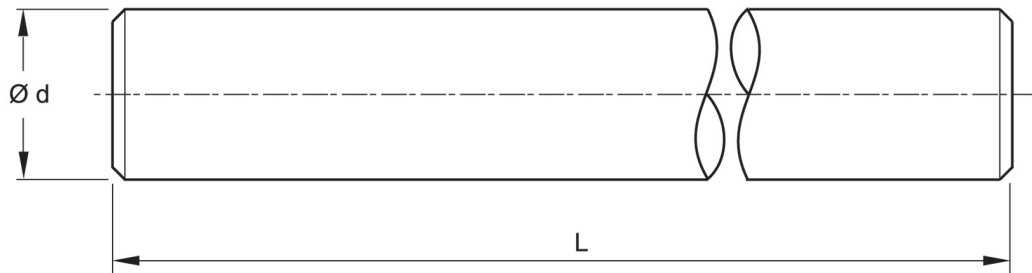
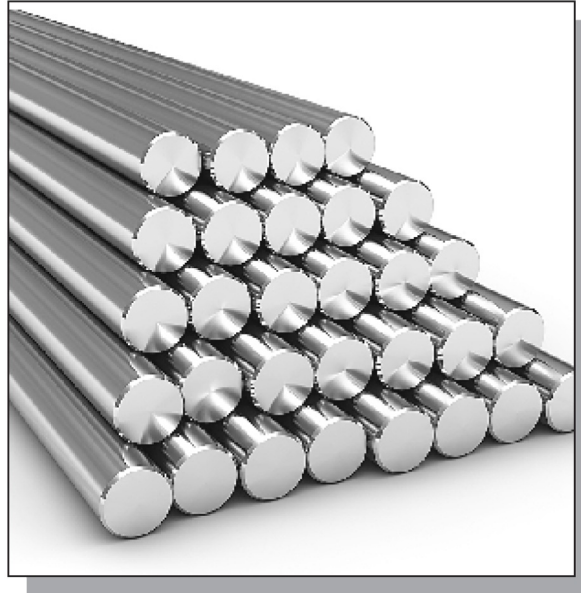
1. Model number (Shaft outside diameter 20 mm).
2. Shaft outer diameter Tolerance.
3. Total Shaft Length in mm.

Tapped Shafts



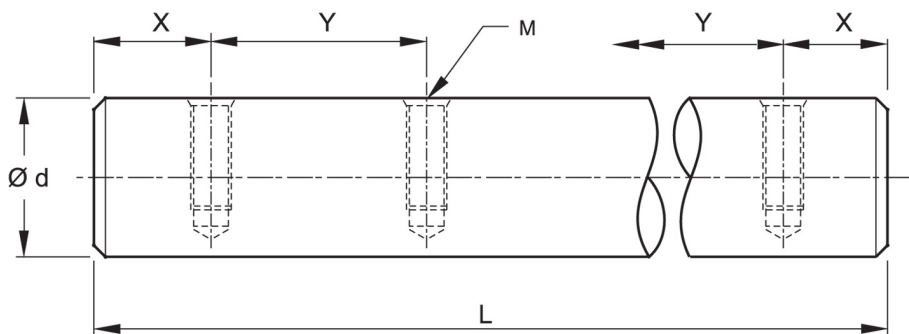
1. Model number (Shaft outer Diameter 20 mm)
2. Shaft outer Diameter Tolerance.
3. Total Shaft Length in mm.
4. Tapped Shaft

PLAIN SHAFTS



Model No.	Diameter	Tolerance 0.001 mm	Max Length	Depth of effective hardness layer tolerance ± 0.5	Weight
S	d	g6	L mm		kg/m
S 8	8	- 5	6000	1.0	0.4
S 10	10	-14			0.62
S 12	12	- 6			0.89
S 13	13	-17			1.05
S 16	16			1.58	
S 20	20	- 7		1.2	2.47
S 25	25	- 20		1.8	3.85
S 30	30			2.0	5.55
S 35	35	- 9		2.2	7.55
S 40	40	- 25		2.4	9.87
S 50	50			2.8	15.41
S 60	60	-10		2.8	22.2
S 80	80	-29		4.0	39.46
S 100	100	-12 -34		4.0	61.66

TAPPED SHAFTS



Model No.	Diameter d	Tolerance 0.001 mm	Depth of effective hardness layer tolerance ± 0.5	L Max	X	Y	M
		g6					
T S 16	16	-6 -17	1.0	6000	75	150	M5
T S 20	20	-7 -20	1.2				M6
T S 25	25		1.8				M8
T S 30	30		2.0				
T S 40	40		-9				2.2
T S 50	50	-25	2.4				M12
T S 60	60	-10 -29	2.8				

LINEAR BALL BEARINGS



Example **SM 16 G UU AJ OP**

Standard

Inner contact diameter

Retainer material

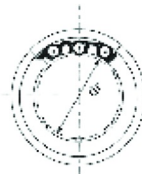
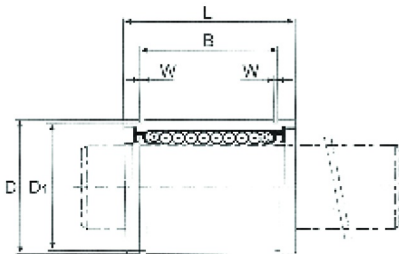
Blank	Steel
G	Resin

Open type

Clearance-adjustable type

Seal

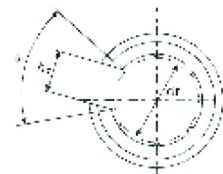
Blank	Without seal
U	Seal on one side
UU	Seals on both sides



SM



SM...AJ

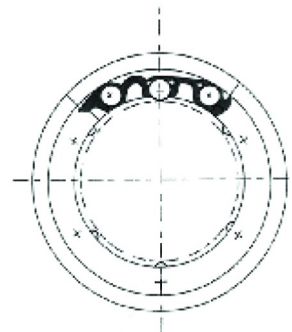
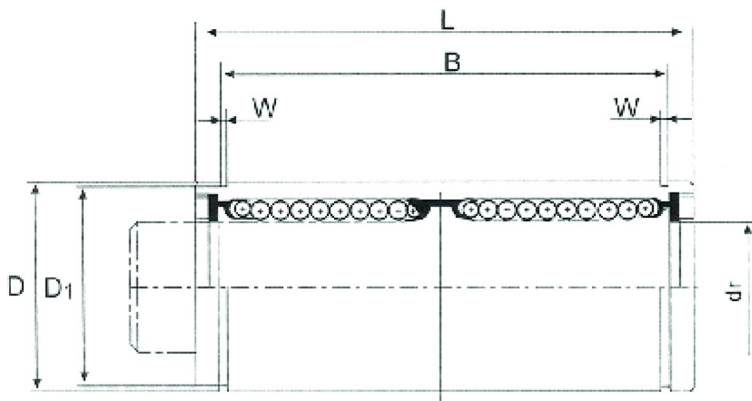
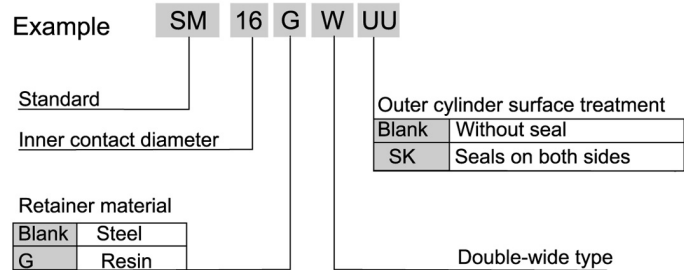


SM...OP

Nominal Part No.				Nominal Shaft Diameter (mm)	Major Dimensions and Tolerance (mm)										Eccentricity (max) μ m	Radial Clearance (max) Mm	Basic Load Rating CN	Rating CoN	Nominal Part No
Steel Retainer	Ball Weight Circuit g	Adjustable Type	Open Type		dr Tolerance	D Tolerance	L Tolerance	B Tolerance	W	D _i	h	h ₁	θ						
SM 4 SM 4G SM 5 SM 5G	4 1.4 4 4	— — — —	— — — —	4 $\left[\begin{array}{c} 0 \\ -0.008 \end{array} \right]$ 5	8 $\left[\begin{array}{c} 0 \\ -0.009 \end{array} \right]$ 10	12 $\left[\begin{array}{c} 0 \\ -0.12 \end{array} \right]$ 15	10.2 $\left[\begin{array}{c} 0 \\ -0.01 \end{array} \right]$	—	1.1	9.6	—	—	—	8	-3	167	206	SM 5	
SM 6 SM 6G SM 8S SM 8SG SM 8 SM 8G	4 8 4 11 4 16	SM 6-AJ SM 6G-AJ SM 8S-AJ SM 8S-AJ SM 8-AJ SM 8G-AJ	— — — — — —	6 $\left[\begin{array}{c} 0 \\ -0.01 \end{array} \right]$ 8 8	12 $\left[\begin{array}{c} 0 \\ -0.011 \end{array} \right]$ 15 15	19 $\left[\begin{array}{c} 0 \\ -0.01 \end{array} \right]$ 17 24	13.5 11.5 17.5	1.1 1.1 1.1	11.5 14.3 14.3	1 1 1	— — —	— — —	— — —	12 12 12	-5 -5 -5	200 170 260	260 220 400	SM 6 SM 8S SM 8	
SM 10 SM 10G SM 12 SM 12G SM 13 SM 13G	4 30 4 31.5 4 43	SM 10-AJ SM 10G-AJ SM 12-AJ SM 12G-AJ SM 13-AJ SM 13G-AJ	— — — — — —	10 0 12 -0.009 13	19 $\left[\begin{array}{c} 0 \\ -0.013 \end{array} \right]$ 21 23	29 30 0 32 -0.2	22 0 23 -0.2 23	1.3 1.3 1.3	18 20 22	1 1.5 1.5	— 8 9	80° 80° 80°	— — —	12 12 12	-5 -5 -5	370 410 500	540 590 770	SM 10 SM 12 SM 13	
SM 16 SM 16G SM 20 SM 20G SM 25 SM 25G	5 69 5 87 6 220	SM 16-AJ SM 16G-AJ SM 20-AJ SM 20G-AJ SM 25-AJ SM 25G-AJ	SM 16-OP SM 16G-OP SM 20-OP SM 20G-OP SM 25-OP SM 25G-OP	16 $\left[\begin{array}{c} 0 \\ -0.01 \end{array} \right]$ 20 0 25 -0.010	28 $\left[\begin{array}{c} 0 \\ -0.01 \end{array} \right]$ 32 0 40 -0.016	37 42 59 $\left[\begin{array}{c} 0 \\ -0.01 \end{array} \right]$	26.5 30.5 41 $\left[\begin{array}{c} 0 \\ -0.01 \end{array} \right]$	1.6 1.6 1.85	27 30.5 38	1.5 1.5 2	11 11 12	80° 60° 50°	— — —	12 15 15	-7 -9 -9	770 860 980	1170 1370 1560	SM 16 SM 20 SM 25	
SM 30 SM 30G SM 35 SM 35G	6 250 6 390	SM 30-AJ SM 30G-AJ SM 35-AJ SM 35G-AJ	SM 30-OP SM 30G-OP SM 35-OP SM 35G-OP	30 $\left[\begin{array}{c} 0 \\ -0.012 \end{array} \right]$ 35 0 38 -0.012	45 $\left[\begin{array}{c} 0 \\ -0.019 \end{array} \right]$ 52 0 60 -0.019	64 70 0 70 -0.3	44.5 49.5 0 49.5 -0.3	1.85 2.1 2.1	43 49 49	2.5 2.5 2.5	15 17 17	50° 50° 50°	— — —	15 20 20	-9 -13 -13	1560 1660 1660	2740 3130 3130	SM 30 SM 35	
SM 40 SM 40G SM 50 SM 50G SM 60 SM 60G	6 585 6 1580 6 2000	SM 40-AJ SM 40G-AJ SM 50-AJ SM 50G-AJ SM 60-AJ SM 60G-AJ	SM 40-OP SM 40G-OP SM 50-OP SM 50G-OP SM 60-OP SM 60G-OP	40 $\left[\begin{array}{c} 0 \\ -0.015 \end{array} \right]$ 50 0 60 -0.015	60 $\left[\begin{array}{c} 0 \\ -0.022 \end{array} \right]$ 80 0 90 -0.022	80 100 110	60.5 74 85	2.1 2.6 3.15	57 76.5 86.5	3 3 3	20 25 30	50° 50° 50°	— — —	20 20 25	-13 -13 -16	2150 3820 4700	4010 7930 9990	SM 40 SM 50 SM 60	

SI Unit IN= 0. 102 kgf

LINEAR BALL BEARINGS

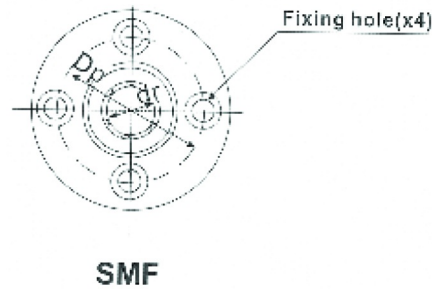
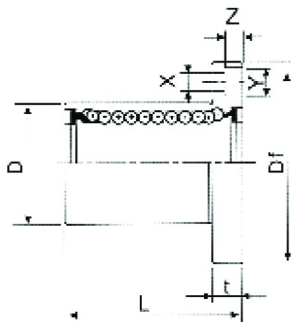


SM...W

Nominal Part No				Major Dimensions and Tolerance (mm)							Eccentricity μm	Basic load Rating		Nominal Part No	
Steel Retainer	Resin Retainer	Ball Circuit	Weight g	dr Tolerance	D Tolerance	L Tolerance	B Tolerance	W	D ₁	Dynamic C(N)		Static Co(N)			
SM6W	SM6GW	4	16	6		12	0	35	27	1.1	11.5	15	323	530	SM 6W
SM8W	SM8GW	4	31	8		15	-0.013	45	35	1.1	14.3	15	431	784	SM 8W
SM10W	SM10GW	4	62	10	0	19		55	44	1.3	18	15	588	1,100	SM 10W
SM12W	SM12GW	4	80	12	-0.010	21	0	57	46	1.3	20	15	657	1,200	SM 12W
SM13W	SM13GW	4	90	13		23	-0.016	61	46	1.3	22	15	813	1,570	SM 13W
SM16W	SM16GW	5	145	16		28		70	53	1.6	27	15	1,230	2,350	SM 16W
SM20W	SM20GW	5	180	20		32	0	80	61	1.6	30.5	20	1,400	2,750	SM 20W
SM25W	SM25GW	6	440	25	0	40	-0.019	112	82	1.85	38	20	1,560	3,140	SM 25W
SM30W	SM30GW	6	580	30	-0.012	45		123	89	1.85	43	20	2,490	5,490	SM 30W
SM35W	SM35GW	6	795	35		52	0	135	99	2.1	49	25	2,650	6,270	SM 35W
SM40W	SM40GW	6	1,170	40	0	60	-0.022	154	121	2.1	57	25	3,430	8,040	SM 40W
SM50W	SM50GW	6	3,100	50	-0.015	80		192	148	2.6	76.5	25	6,080	15,900	SM 50W
SM60W	SM60GW	6	3,500	60	0 -0.020	90	0 -0.025	211	170	3.15	86.5	25	7,650	20,000	SM 60W

SI Unit IN= 0. 102 kgf

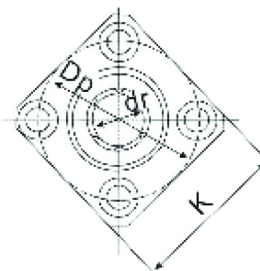
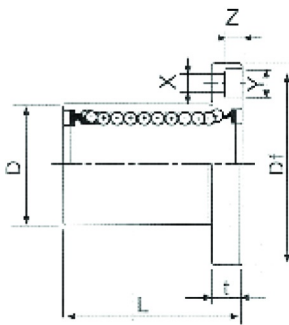
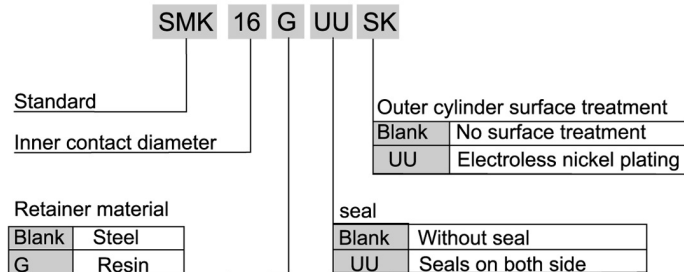
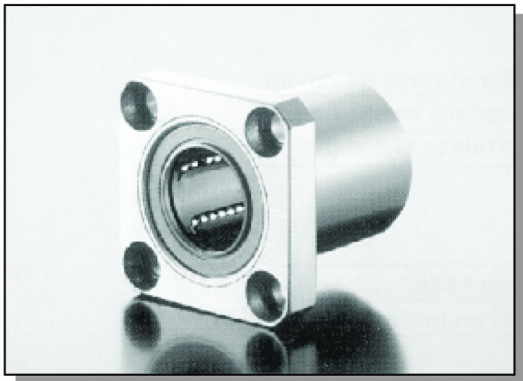
LINEAR BALL BEARINGS



Nominal Part No				Major Dimensions and Tolerance (mm)											Eccentricity μm	Squareness μm	Basic load Rating		Nominal Part No	
Steel Retainer	Resin Retainer	Ball Circuit	Weight g	dr	Tolerance	D	Tolerance	L	Tolerance	Flange							Dynamic C(N)	Static Co(N)		
									Df	t	Dp	X	Y	Z						
SMF6	SMF6G	4	24	6		12	0	19		28	5	20	3.5	6	3.1	12	12	206	265	SMF6
SMF8S	SMF8SG	4	32	8		15	-0.013	17		32	5	24	3.5	6	3.1	12	12	176	216	SMF8S
SMF8	SMF8G	4	37	8	0	15		24		32	5	24	3.5	6	3.1	12	12	274	392	SMF8
SMF10	SMF10G	4	72	10	-0.009	19		29		40	6	29	4.5	7.5	4.1	12	12	372	549	SMF10
SMF12	SMF12G	4	76	12		21	0	30		42	6	32	4.5	7.5	4.1	12	12	510	784	SMF12
SMF13	SMF13G	4	88	13		23	-0.016	32		43	6	33	4.5	7.5	4.1	12	12	510	784	SMF13
SMF16	SMF16G	5	120	16		28		37		48	6	38	4.5	7.5	4.1	12	12	774	1,180	SMF16
SMF20	SMF20G	5	180	20		32		42	±0.3	54	8	43	5.5	9	5.1	15	15	882	1,370	SMF20
SMF25	SMF25G	6	340	25	0	40	0	59		62	8	51	5.5	9	5.1	15	15	980	1,570	SMF25
SMF30	SMF30G	6	470	30	-0.010	45	-0.019	64		74	10	60	6.6	11	6.1	15	15	1,570	2,740	SMF30
SMF35	SMF35G	6	650	35		52		70		82	10	67	6.6	11	6.1	20	20	1,670	3,140	SMF35
SMF40	SMF40G	6	1,060	40	0	60	0	80		96	13	78	9	14	6.1	20	20	2,160	4,020	SMF40
SMF50	SMF50G	6	2,200	50	-0.012	80	-0.022	100		166	13	98	9	14	8.1	20	20	3,820	7,940	SMF50
SMF60	SMF60G	6	3,000	60	0 -0.015	90	0 -0.025	110		134	18	112	11	17	11.1	25	25	4,700	10,000	SMF60

SI Unit IN= 0. 102 kgf

LINEAR BALL BEARINGS

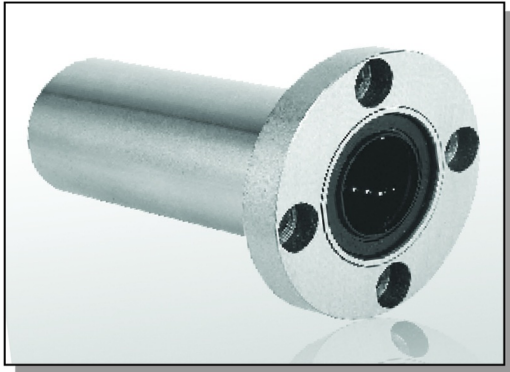


SMF

Nominal Part No				Major Dimensions and Tolerance (mm)											Eccentricity µm	Squarness µm	Basic load Rating		Nominal Part No
Steel Retainer	Resin Retainer	Ball Circuit	Weight g	dr Tolerance	D Tolerance	L Tolerance	Flange						Dynamic C(N)	Static Co(N)					
							Df	t	Dp	X	Y	Z							
SMK 6	SMK6G	4	24	6		12	0	19	28	5	20	3.5	6	3.1	12	12	206	265	SMK6
SMK8	SSMK8SG	4	32	8		15	-0.013	17	32	5	24	3.5	6	3.1	12	12	176	216	SMK8S
SMK8	SMK8G	4	37	8	0	15		24	32	5	24	3.5	6	3.1	12	12	274	392	SMK8
SMK10	SMK10G	4	72	10	-0.009	19		29	40	6	29	4.5	7.5	4.1	12	12	372	549	SMK10
SMK12	SMK12G	4	76	12		21	0	30	42	6	32	4.5	7.5	4.1	12	12	510	784	SMK12
SMK13	SMK13G	4	88	13		23	-0.016	32	43	6	33	4.5	7.5	4.1	12	12	510	784	SMK13
SMK16	SMK16G	5	120	16		28		37	48	6	38	4.5	7.5	4.1	12	12	774	1,180	SMK16
SMK20	SMK20G	5	180	20		32		42	54	8	43	5.5	9	5.1	15	15	882	1,370	SMK20
SMK25	SMK25G	6	340	25	0	40	0	59	62	8	51	5.5	9	5.1	15	15	980	1,570	SMK25
SMK30	SMK30G	6	470	30	-0.010	45	-0.019	64	74	10	60	6.6	11	6.1	15	15	1,570	2,740	SMK30
SMK35	SMK35G	6	650	35		52		70	82	10	67	6.6	11	6.1	20	20	1,670	3,140	SMK35
SMK40	SMK40G	6	1,060	40	0	60	0	80	96	13	78	9	14	8.1	20	20	2,160	4,020	SMK40
SMK50	SMK50G	6	2,200	50	-0.012	80	-0.022	100	116	13	98	9	14	8.1	20	20	3,820	7,940	SMK50
SMK60	SMK60G	6	3,000	60	0 -0.015	90	0 -0.025	110	134	18	112	11	17	11.1	25	25	4,700	10,000	SMK60

SI Unit IN= 0. 102 kgf

LINEAR BALL BEARINGS



Example **SMF 16 G W UU SK**

Standard: SMF

Inner contact diameter: 16

Retainer material: G (Resin)

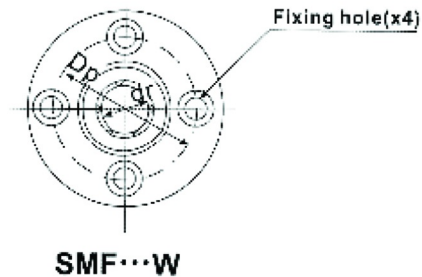
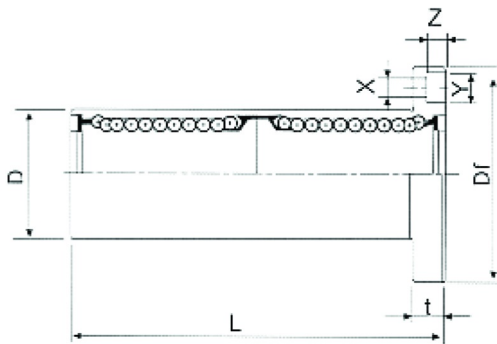
Double-wide type: W

Seal: UU (Seal on both sides)

Outer cylinder surface treatment: SK (Electroless nickel plating)

Blank	No surface treatment
SK	Electroless nickel plating

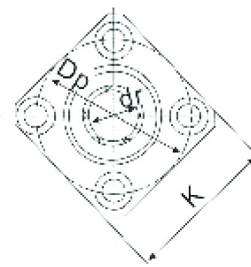
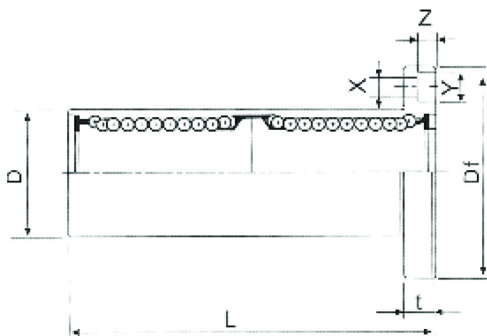
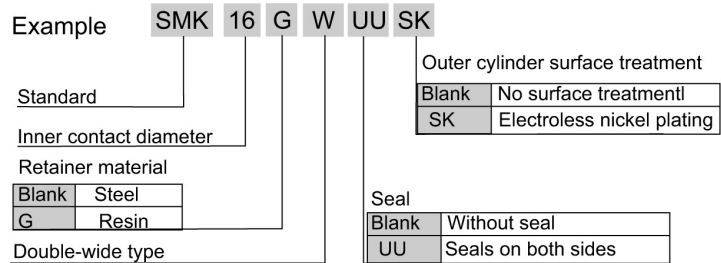
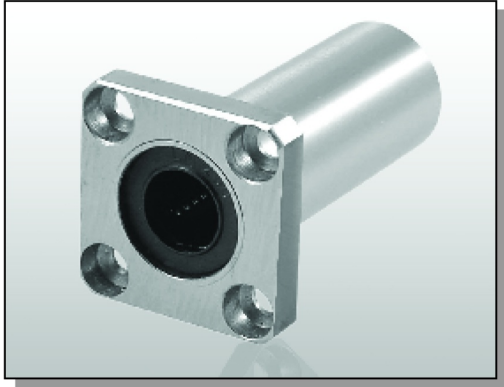
Blank	Without seal
UU	Seal on both sides



Nominal Part No				Major Dimensions and Tolerance (mm)											Eccentricity μm	Squareness μm	Basic load Rating		Nominal Part No	
Steel Retainer	Resin Retainer	Ball Circuit	Weight g	dr	Tolerance	D	Tolerance	L	Tolerance	Df	t	Dp	X	Y			Z	Dynamic C(N)		Static Co(N)
SMF6W	SMF6LW	4	31	6		12	0	35		28	5	20	3.5	6.5	3.1	15	15	323	530	SMF6W
SMF8W	SMF8GW	4	51	8		15	-0.010	45		32	5	24	3.5	6.5	3.1	15	15	431	784	SMF8W
SMF10W	SMF10GW	4	98	10	0	19		55		40	6	29	4.5	8	4.1	15	15	588	1,100	SMF10W
SMF12W	SMF12GW	4	110	12	-0.010	21	0	57		42	6	32	4.5	8	4.1	15	15	813	1,570	SMF12W
SMF13W	SMF13GW	4	130	13		12	-0.016	61		43	6	33	4.5	8	4.1	15	15	813	1,570	SMF13W
SMF16W	SMF16GW	5	190	16		28		70	-0.3	48	6	38	4.5	8	4.1	15	15	1,230	2,350	SMF16W
SMF20W	SMF20GW	5	260	20		32		80		54	8	43	5.5	9.5	5.1	20	20	1,400	2,740	SMF20W
SMF25W	SMF25GW	6	540	25	0	40	0	112		62	8	51	5.5	9.5	5.1	20	20	1,560	3,140	SMF25W
SMF30W	SMF30GW	6	680	30	-0.012	45	-0.019	123		74	10	60	6.6	11	6.1	20	20	2,490	5,490	SMF30W
SMF35W	SMF35GW	6	1,020	35	0	52	0	135		82	10	67	6.6	11	6.1	25	25	2,650	6,270	SMF35W
SMF40W	SMF40GW	6	1,570	40	-0.015	60	-0.022	154		96	13	78	9	14	8.1	25	25	3,430	8,040	SMF40W
SMF50W	SMF50GW	6	3,600	50	0	80	0	192		116	13	89	9	14	8.1	25	25	6,080	15,900	SMF50W
SMF60W	SMF60GW	6	4,500	60	-0.020	90	-0.025	211		134	18	112	11	17.5	11.1	30	30	7,550	20,000	SMF60W

SI Unit IN= 0. 102 kgf

LINEAR BALL BEARINGS

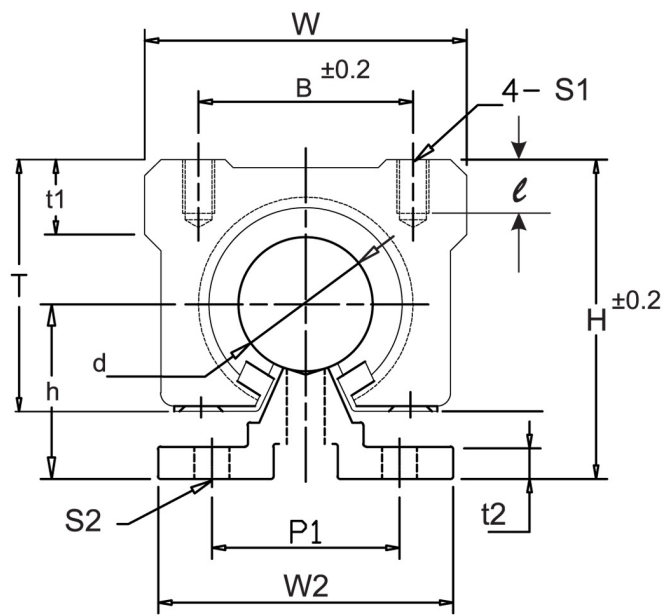


SMK...W

Nominal Part No				Major Dimensions and Tolerance (mm)										Eccentricity µm	Squareness µm	Basic load Rating		Nominal Part No
Steel Retainer	Resin Retainer	Ball Circuit	Weight g	dr Tolerance	D Tolerance	L Tolerance	Flange						Dynamic C(N)			Static Co(N)		
							Df	t	Dp	X	Y	Z						
SMK 6W	SMK 6GW	4	25	6	12	35	28	5	20	3.5	6.5	3.1	15	15	323	530	SMK 6W	
SMK 8W	SMK 8GW	4	43	8	15	45	32	5	24	3.5	6.5	3.1	15	15	431	784	SMK 8W	
SMK 10W	SMK 10GW	4	78	10	19	55	40	6	29	4.5	8	4.1	15	15	588	1,100	SMK 10W	
SMK 12W	SMK 12GW	4	90	12	21	57	42	6	32	4.5	8	4.1	15	15	813	1,570	SMK 12W	
SMK 13W	SMK 13GW	4	108	13	12	61	43	6	33	4.5	8	4.1	15	15	813	1,570	SMK 13W	
SMK 16W	SMK 16GW	5	165	16	28	70	48	6	38	4.5	8	4.1	15	15	1,230	2,350	SMK 16W	
SMK 20W	SMK 20GW	5	225	20	32	80	54	8	43	5.5	9.5	5.1	20	20	1,400	2,740	SMK 20W	
SMK 25W	SMK 25GW	6	500	25	40	112	62	8	51	5.5	9.5	5.1	20	20	1,560	3,140	SMK 25W	
SMK 30W	SMK 30GW	6	590	30	45	123	74	10	60	6.6	11	6.1	20	20	2,490	5,490	SMK 30W	
SMK 35W	SMK 35GW	6	930	35	52	135	82	10	67	6.6	11	6.1	25	25	2,650	6,270	SMK 35W	
SMK 40W	SMK 40GW	6	1,380	40	60	154	96	13	78	9	14	8.1	25	25	3,430	8,040	SMK 40W	
SMK 50W	SMK 50GW	6	3,400	50	80	192	116	13	89	9	14	8.1	25	25	6,080	15,900	SMK 50W	
SMK 60W	SMK 60GW	6	4,060	60	90	211	134	18	112	11	17.5	11.1	30	30	7,550	20,000	SMK 60W	

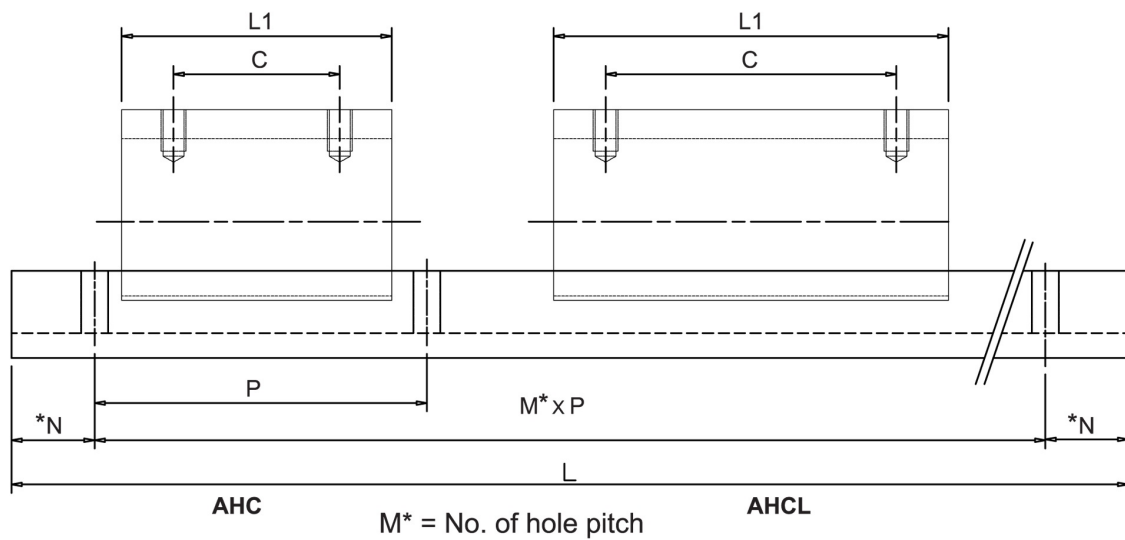
SI Unit IN= 0. 102 kgf

LM SLIDE UNITS



Model No.	Shaft Diameter d	Dimensions of assembly			Dimensions of Block						
		H	h	W	L1	B	C	t1	ℓ	S1	T
AHC - 16	16	45	27.1	45	45	32	30	9	12	M5	33
AHC - 20	20	50	27.1	48	50	35	35	11		M6	39
AHC - 25	25	60	33.0	60	65	40	40	14		M6	47
AHC - 30	30	70	36.6	70	70	50	50	16.8	18	M8	56
AHC - 40	40	90	47	90	90	65	65	22	20	M10	72
AHC - 50	50	120	67	119.3	110	94	80	25	27	M10	91

SHAFTS WITH SUPPORT SYSTEMS



Dimensions of track rail							Basics dynamic load rating	Basics static load rating	Model No.
W2	P1	t2	N	M X P	S2	L(max)	C (N)	Co (N)	
44.8	30	5.0	50	6 x 150	Ø6.5	1,000	770	1170	AHC - 16
							860	1370	AHC - 20
54	35	5.5					980	1560	AHC - 25
60	40	6.5			1560		2740	AHC - 30	
75	55	9			Ø9		2150	4010	AHC - 40
110	75	12			Ø13		3820	7930	AHC - 50

HOUSING UNITS



HOUSINGS - OPEN TYPE

SME-UU Series are light weight but heavy duty extruded aluminum housings, fitted with sealed standard Ball Bushings for high running accuracy and extremely low friction. When mounting these open type of aluminum housings, the four securing holes should be provided with bolts to achieve the maximum load capacity and the best rigidity for every mounting position.

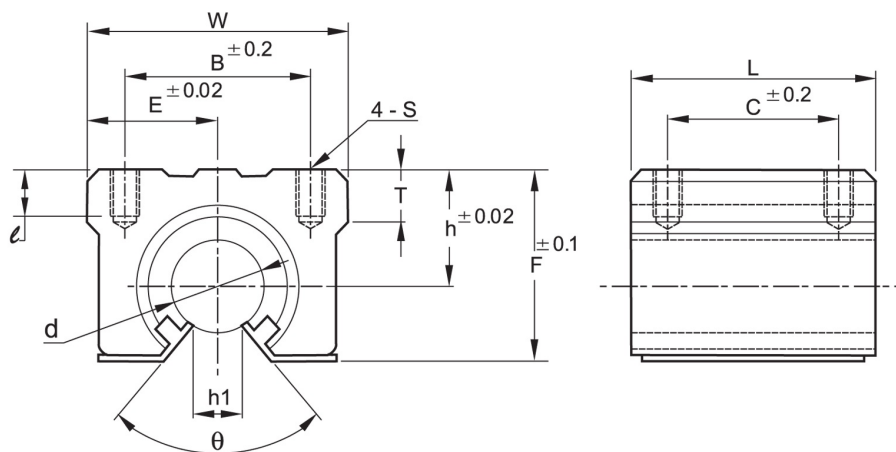
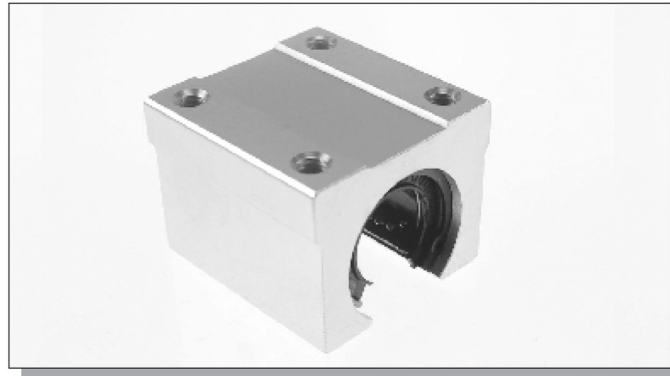
Standard Coating : Anodized.

HOUSINGS CLOSETYPE

SMA-UU Series are made of high quality extruded aluminum alloy. These units consist of sealed Ball Bushings for higher running accuracy and extremely low friction.

Standard Coating : Anodized

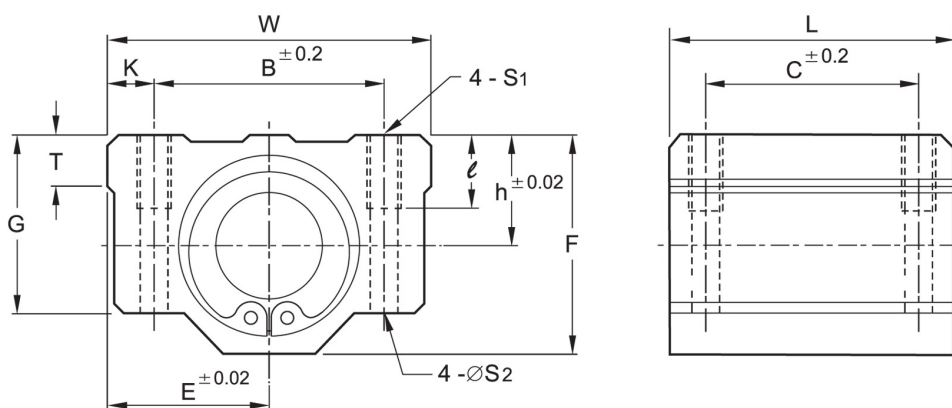
HOUSING UNITS



HOUSING-OPEN TYPE (SME - UU SERIES)

Model No.	Shaft Dia d	Main Dimensions.						Mounting Dimensions.					Linear ball bearing				
		h ±0.02	E ±0.02	W	L	F	T	h1	θ	B ±0.2	C ±0.2	S	ℓ	LM Bearing No.	Basic dynamic load rating C(kg)	Basic Static load rating Co(kg)	*Unit Weight g
SME16	16	20.1	22.5	45	45	33	9	10	80°	32	30	M 5	12	LM 16UU OP	79	120	150
SME 20	20	23	24	48	50	39	11		60°	35	35	M 6		LM 20UU OP	90	140	200
SME 25	25	27	30	60	65	47	14	11.5	40	40	LM 25UU OP			100	160	450	
SME 30	30	33	35	70	70	56	16.8	14	50°	50	50	M 8	18	LM 30UU OP	160	280	630
SME 40	40	42	45	90	90	72	22	19		65	65	M 10	20	LM 40UU OP	220	410	1,330
SME 50	50	52	60	120	110	92	24	28		94	80	M 10	25	LM 50UU OP	382	793	2,900

* Includes weight of LM Bearing.

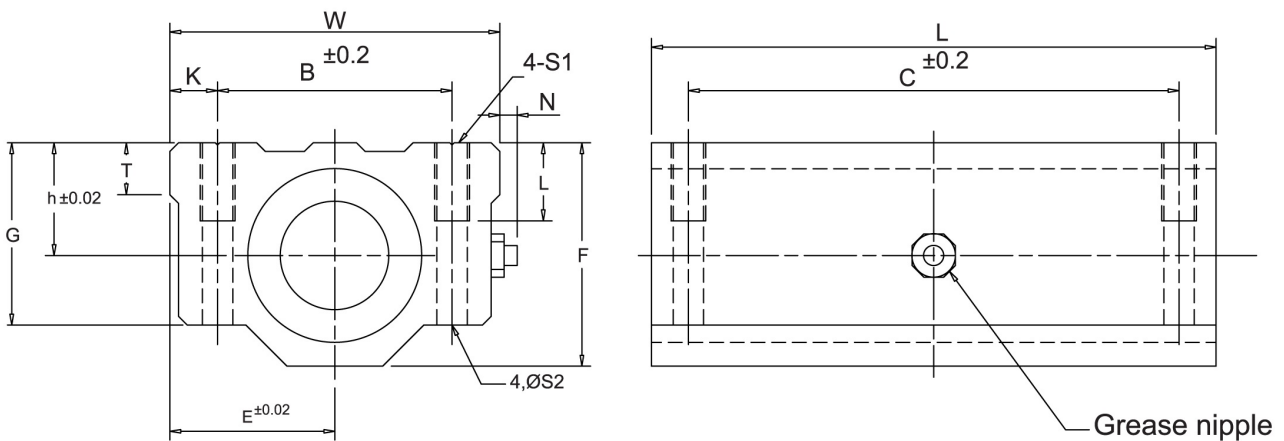


HOUSING-CLOSE TYPE (SMA-UU SERIES)

Model No.	Nominal shaft diameter	Main Dimensions						Mounting Dimensions						LM Bearing Model No.	dynamic C (kg)	static Co (kg)	* Unit Weight g		
		h	E	W	L	F	G	T	B	C	K	S ₁	S ₂					ℓ	
SMA16	16	19	25	50	44	38.5	32.5	9	36	34	7	M5	4.3	12	LM16UU	79	120	200	
SMA 20	20	21	27	54	50	41	35	11	40	40		M6	5.2		LM20UU	90	140	255	
SMA 25	25	26	38	76	67	51.5	42	12	54	50	10	M8	7	18	LM25UU	100	160	600	
SMA 30	30	30	39	78	72	59.5	49	15	58	58					LM30UU	160	280	735	
SMA 35	35	34	45	90	80	68	54	18	70	70					LM35UU	170	320	1100	
SMA 40	40	40	51	102	90	78	62	20	80	80	60	11	M10	8.7	25	LM40UU	220	410	1590

* Includes weight of LM Bearing.

HOUSING UNITS

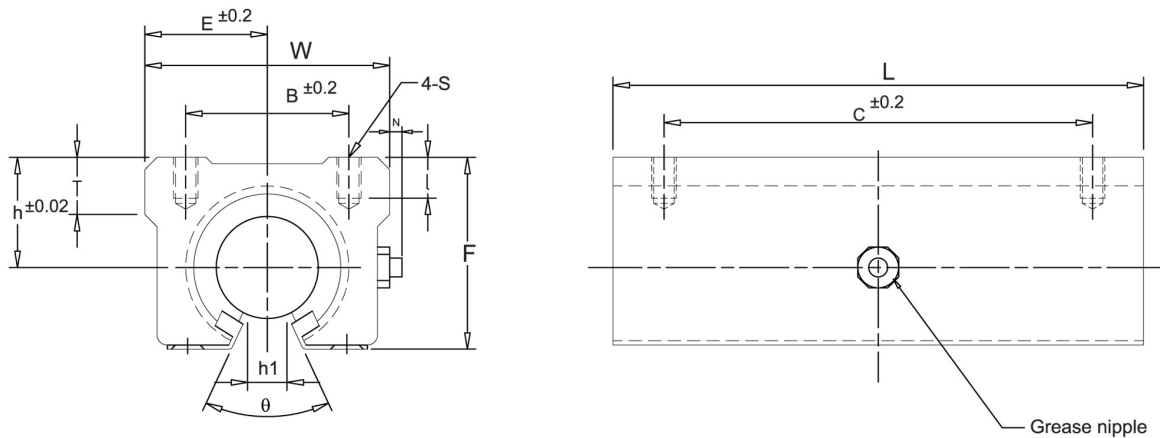
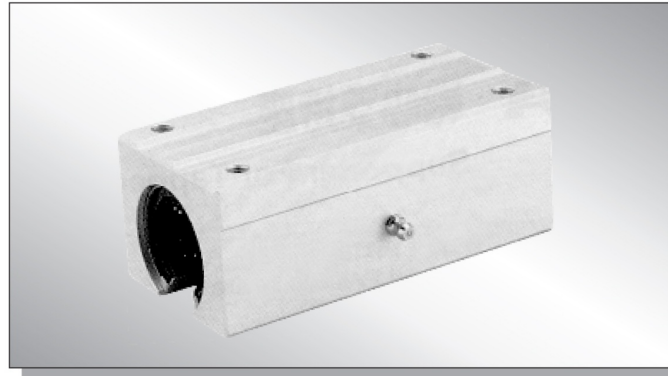


HOUSING-CLOSE TYPE (HFL-- UU SERIES)

Model No.	Nominal shaft diameter	Main Dimensions							Mounting Dimensions					LM Bearing Model No.	dynamic C (kg)	static Co (kg)	* Unit Weight g	
		h	E	W	L	F	G	T	B	C	K	S ₁	S ₂					ℓ
HFL16	16	19	25	50	85	38.5	32.5	9	36	60	7	M5	4.3	12	LM16UU	125	240	400
HFL20	20	21	27	54	96	41	35	11	40	70		M6	5.2		LM20UU	144	280	570
HFL25	25	26	38	76	130	51.5	42	12	54	100	10	M8	7	18	LM25UU	164	320	1200
HFL30	30	30	39	78	140	59.5	49	15	58	110					LM30UU	250	560	1480
HFL35	35	34	45	90	155	68	54	18	70	120					LM35UU	270	640	2200
HFL40	40	40	51	102	175	78	62	20	80	140	11	M10	8.7	25	LM40UU	350	820	3200

* Includes weight of LM Bearing.

HOUSING UNITS

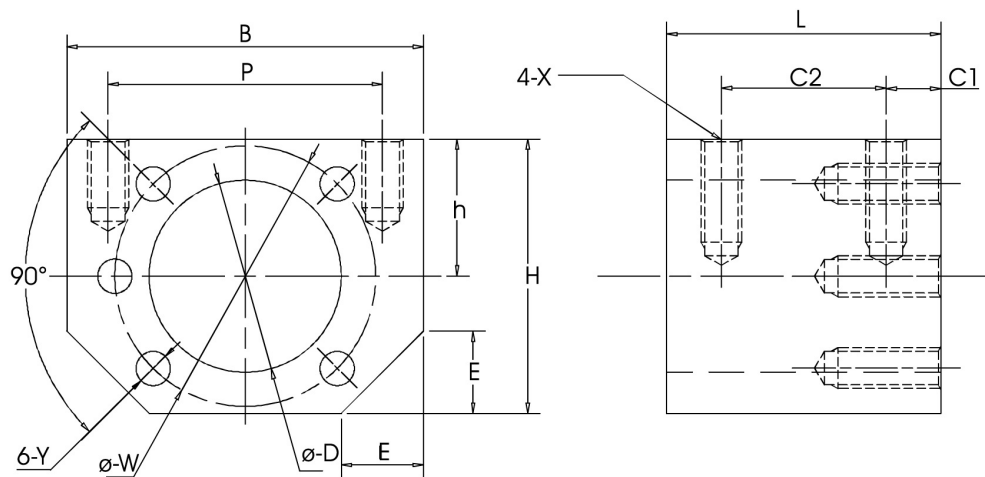
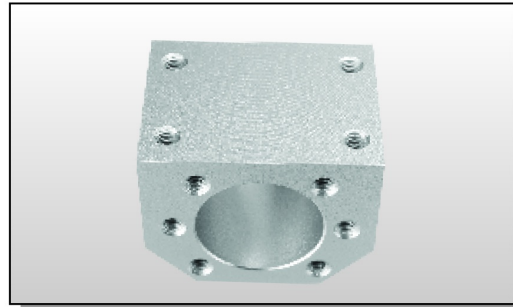


HOUSING-OPEN TYPE (HCL - - UU SERIES)

Model No.	Shaft Dia d	Main Dimensions.						Mounting Dimensions.					Linear ball bearing				
		h ±0.02	E ±0.02	W	L	F	T	h1	θ	B ±0.2	C ±0.2	S	ℓ	LM Bearing No.	Basic dynamic load rating C(kg)	Basic Static load rating Co(kg)	*Unit Weight g
HCL 16	16	20.1	22.5	45	85	33	9	10	80°	32	60	M 5	12	LM 16UU OP	158	240	300
HCL 20	20	23	24	48	96	39	11		60°	35	70	M 6		LM 20UU OP	180	280	400
HCL 25	25	27	30	60	130	47	14	11.5	40	100	LM 25UU OP			200	320	900	
HCL 30	30	33	35	70	140	56	16.8	14	50°	50	110	M 8	18	LM 30UU OP	320	560	1260
HCL 40	40	42	45	90	175	72	22	19		65	140	M 10	20	LM 40UU OP	440	820	2480

* Includes weight of LM Bearing.

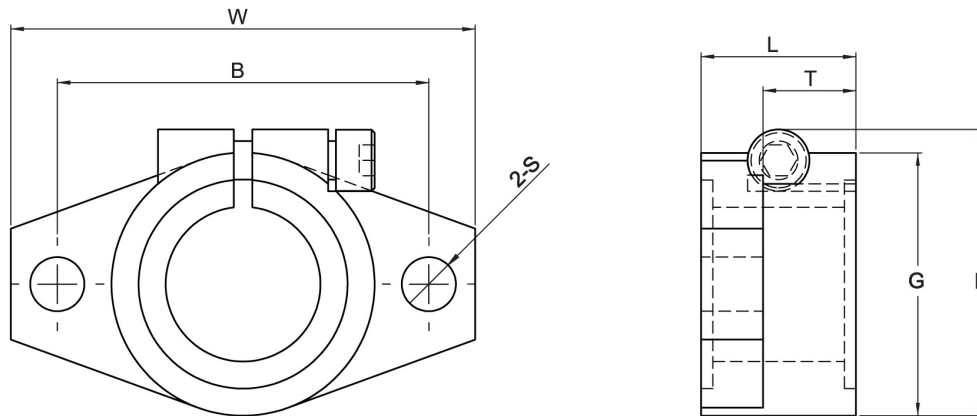
BALL SCREW NUT HOUSING



Model No.	B/S Size	D	B	H	h	E	L	C1	C2	P	X	W	Y
DSG 16 H	1605	28	52	40	20	12	40	8	24	40	M5	38	M5
	1610												
DSG 16 16	1616	32	54	38	19	8	40	8	24	44	M5	42	M5
DSG 20 H	2005	36	62	44	22	12	40	8	24	48	M6	48	M6
	2010												
DSG 2020	2020	39	64	46	23	11	40	8	24	52	M6	50	M6
DSG 25 H	2505	40	66	48	24	13	40	8	24	50	M6	51	M6
	2510												
DSG 2525	2525	47	68	59	28	9	40	8	24	50	M6	60	M6
DSG 32H	3205	50	89	62	31	17	40	8	24	66	M8	65	M8
	3210												
DSG 40 H	4005	63	100	70	35	19	40	8	24	80	M8	78	M8
	4010												
DSG 50 H	5010	75	116	85	42.5	22	46	10	26	92	M8	93	M8

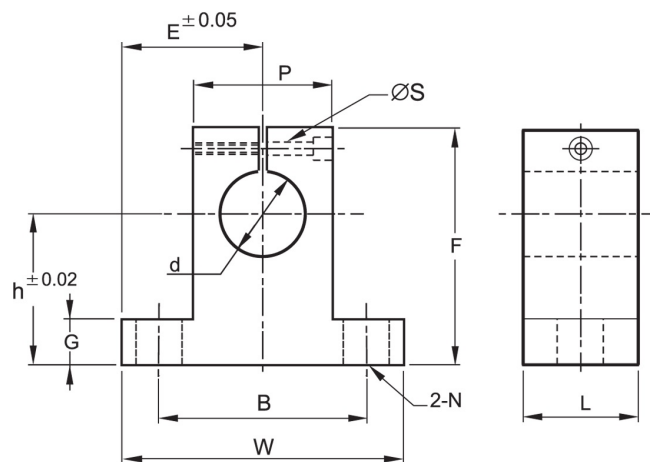
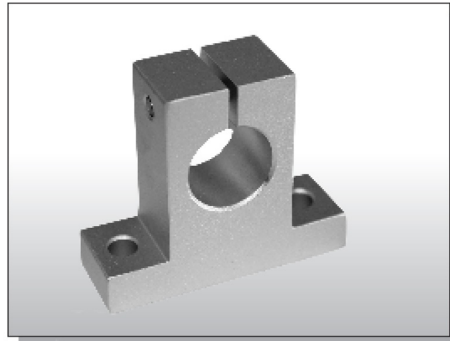
FLANGE TYPE SHAFT END SUPPORT

SHF- A



Model No.	Shaft Dimensions	Dimensions (mm)							Locking Bolt	Clamping Bolt	Weight (kg/m)
		W	L	T	F	G	B	S			
SHF 3A	3	43	10	5	24	20	32	5.5	M4	M5	0.013
SHF 4A	4	43	10	5	24	20	32	5.5	M4	M5	0.013
SHF 5A	5	43	10	5	24	20	32	5.5	M4	M5	0.013
SHF 6A	6	43	10	5	24	20	32	5.5	M4	M5	0.013
SHF 8A	8	43	10	5	24	20	32	5.5	M4	M5	0.013
SHF 10A	10	43	10	5	24	20	32	5.5	M4	M5	0.013
SHF 12A	12	47	13	7	28	25	36	5.5	M4	M5	0.020
SHF 13A	13	47	13	7	28	25	36	5.5	M4	M5	0.020
SHF 16A	16	50	16	8	31	28	40	5.5	M4	M5	0.027
SHF 20A	20	60	20	8	37	34	48	7	M5	M6	0.040
SHF 25A	25	70	25	10	42	40	56	7	M5	M6	0.060
SHF 30A	30	80	30	12	50	46	64	9	M6	M8	0.110
SHF 35A	35	92	35	14	58	50	72	12	M8	M10	0.380
SHF 40A	40	102	40	16	67	56	80	12	M10	M10	0.510
SHF 50A	50	122	50	19	83	70	96	14	M12	M12	0.890
SHF 60A	60	140	60	23	95	82	112	14	M12	M12	1.500

END SUPPORT UNITS



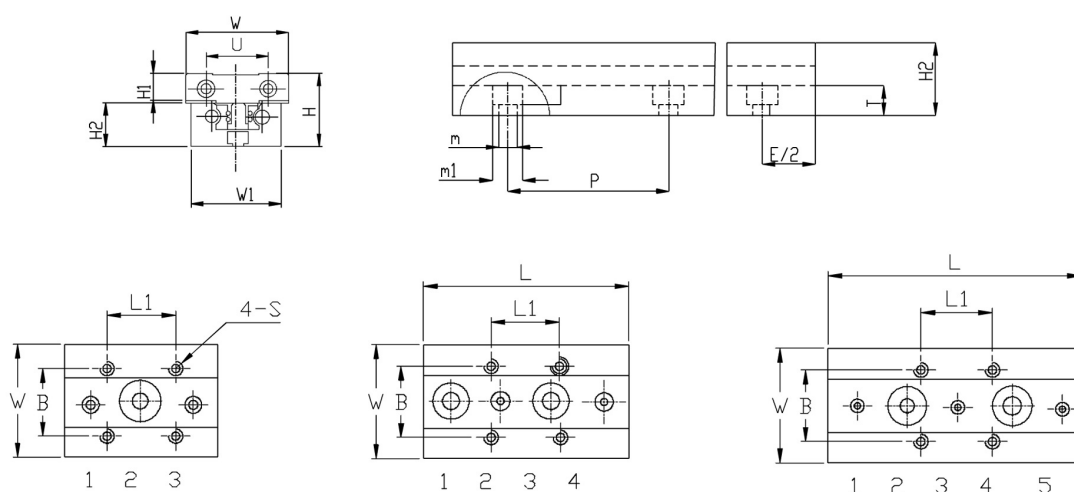
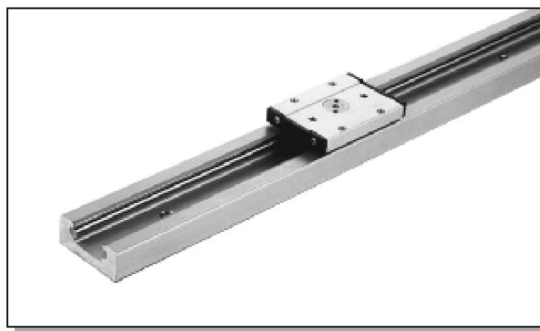
SHAFT END SUPPORT (SK - SERIES)

MODEL NO	Shaft diameter d	h ±0.02	E ±0.05	W	L	F	G	P	B	ØS	Locking bolt S	Mounting bolt N	Unit Weight g
SK 16	16	27	24	48	16	44	8	25	38	5.5	M4	M5	40
SK 20	20	31	30	60	20	51	10	30	45	6.6	M5	M6	70
SK 25	25	35	35	70	24	60	12	38	56		M6		130
SK 30	30	42	42	84	28	70		15	44	64	9	M8	M10
SK 35	35	50	49	98	32	82	50		74	11	M8		
SK 40	40	60	57	114	36	96	18	60	90	14	M12	M12	420
SK 50*	50	70	63	126	40	120		74	100				750

• Other sizes upon request. • * Check for availability

RECTANGLE WHEEL LINEAR RAIL SERIES

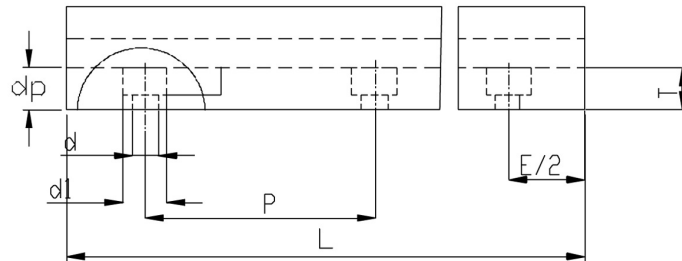
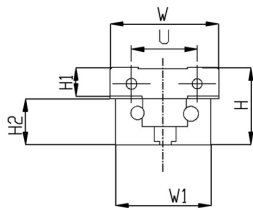
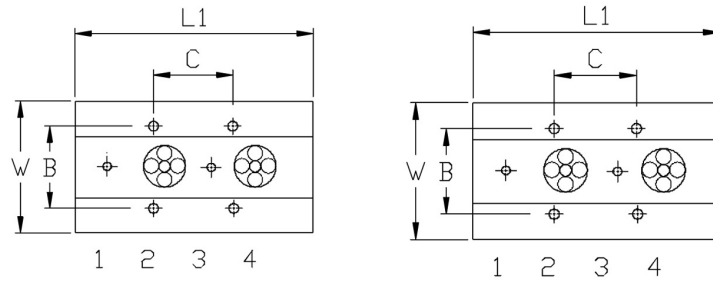
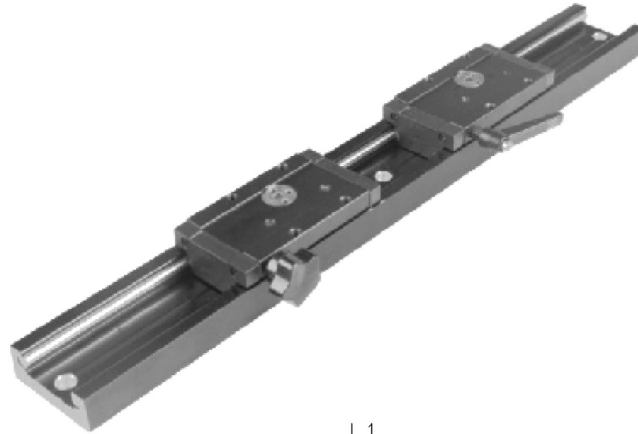
SG



SG		SGR															SGB									
SGR	SGB	H	W	W ₁	H ₂	dp	P	guide weight	T	m ₁	m	W	H ₁	L	B	L ₁	S	Yo	Zo	Mxo	Myo	Mzo	kg-per			
10	-3	29	28	32	17	6	60	6	1.106	8	8	4.5	28	11	60	26	26	M4	3	2	320	300	6.4	6.8	7.1	0.110
	-3													60					3	2	490	460	10.2	9.2	9.8	0.110
15N	-4	32	38	38	18.5	6	120	6	1.11	8	8	4.5	44	12	80	26	26	M5	4	1,3	700	660	14.5	13.2	14	0.145
	-5													100					5	1,1,4	980	920	20.3	37	99	0.185
	-3													60					3	2	490	460	13.8	7.4	7.8	0.105
15	-4	32	46	46	18.5	6	120	6	2.01	8	8	4.5	46	12	80	32	36	M5	4	1,3	700	660	19.8	21.1	22.4	0.140
	-5													100					5	1,1,4	980	920	27.7	44.3	47	0.170
	-3													81					3	2	700	980	29.4	25.4	18.2	0.195
20N	-4	36	47	47	22.5	6	120	8	2.32	9	9.5	5.5	47	12	108	38	30	M6	4	1,3	1000	1400	42	72.8	52	0.265
	-5													135					5	1,1,4	1400	1960	84.2	129	92.4	0.350
	-3													81					3	2	700	980	42.1	21.5	15.4	0.210
20	-4	36	60	60	22.5	6	120	8	3.31	9	9.5	5.5	60	12	108	50	40	M6	4	1,3	1000	1400	60.2	61.6	44	0.280
	-5													135					5	1,1,4	1400	1960	84.2	129	92.4	0.350
	-3													100					3	2	1260	1470	67.62	48.51	41.58	0.460
25	-4	44	69	69	26	7	120	10	4.28	10	11	6.5	70	16.3	133	57	45	M8	4	1,3	1800	2100	96.6	138.6	118.8	0.615
	-5													166					5	1,1,4	2520	2940	135.0	291.06	249.48	0.775
	-3													140					3	2	2800	2800	159.6	126	128	1.1
35	-4	55	100	90	35	8.5	160	12	6.9	12	14	8.5	100	18	185	82	62	M10	4	1,3	4000	4000	228	360	360	1.45
	-5													230					5	1,1,4	5600	5600	319.2	758	756	1.835

BLACK SGR LOCK SERIES

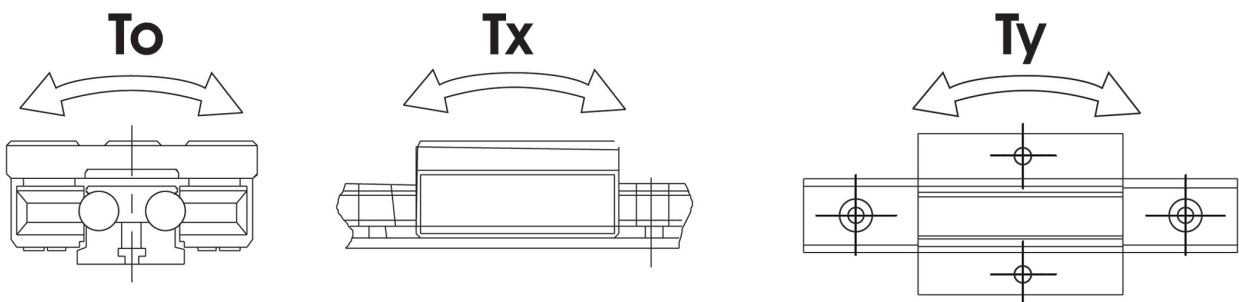
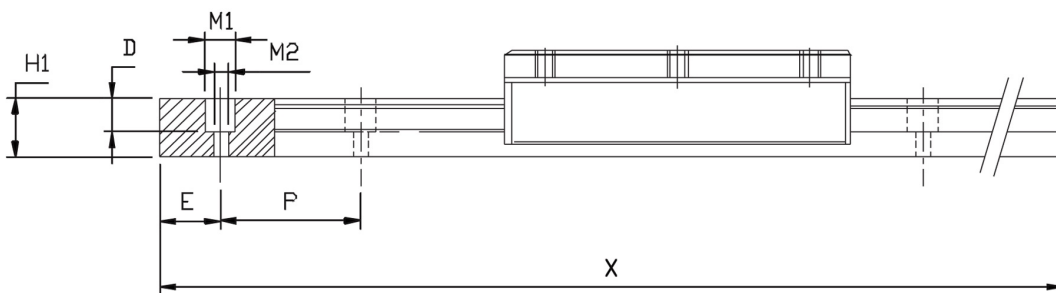
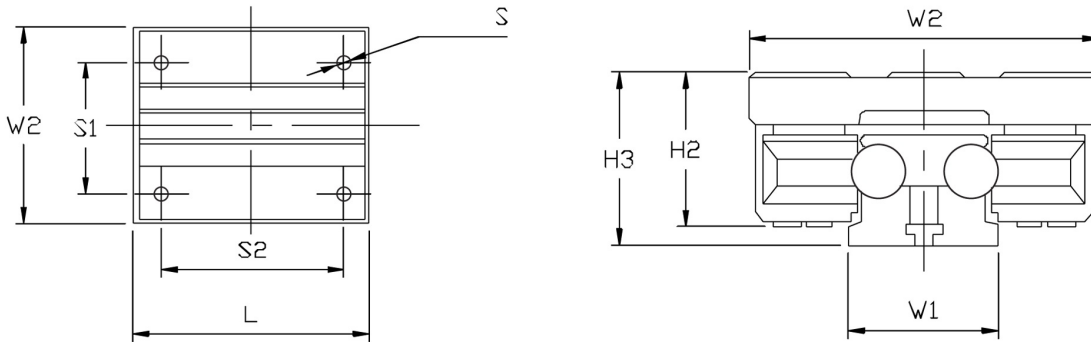
SGR



SG		SGR													SGB											
SGR	SGB	H	W	W1	H2	dp	P	(k/m)	T	d	d1	L1	Lmax	B	C	H1	S		Yo	Zo	(N.m)			(gf/m)		
10	-4	23	28	28	14	3.3	60	5	1.05	7	3.4	6	80	4000	18.5	40	8.5	M4	4	2.4	450	420	7.5	8.1	8.6	1621
15N	-4	32	44	38	18.5	5.5	120	6	1.65	7	4.5	8	100	4000	26	26	12	M5	4	2.4	700	660	14.5	13.2	14.0	2146
15	-4	32	46	46	18.5	5.5	120	6	1.76	8	4.5	8	86	4000	32	36	12	M5	4	2.4	700	660	19.8	21.1	22.4	2426
20N	-4	36	47	47	22.5	5.5	120	8	2.25	8	5.5	9.5	130	4000	38	30	12	M6	4	2.4	1.0	1.4	42	72.8	52	2859
20	-4	36	60	60	22.5	5.5	120	8	2.75	8	5.5	9.5	130	4000	50	40	12	M6	4	2.4	1.0	1.4	60.2	61.6	44	3688
25	-4	44	70	70	26	6.5	120	10	3.88	9	6.5	11	160	4000	57	46	15	M6	4	2.4	18.0	21.0	96.6	139	119	5009

AXIAL CORE LINEAR SERIES

LGD



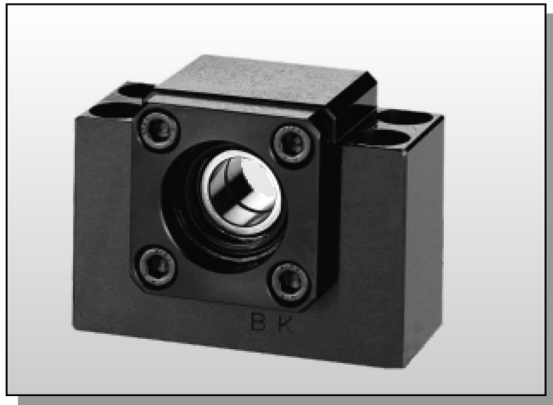
AXIAL CORE LINEAR SERIES

Type of guide	Width 1	H3	Height 1	Pitch	End	Macroporous1	Macroporous2	Hole depth	Single length	Buttle length	Weight Kg-m
LGD6	26	29	18	60	30	Φ 9	Φ 5	7	0- 6000	Infinite	1.25
LGD8	28	30	20	50	25	Φ 8.5	Φ 5.5	5.5	0- 6000	Infinite	2.3
LGD12	36	39	25.5	50	25	Φ 12.5	Φ 6.5	12.5	0- 6000	Infinite	3.1
LGD16	49	50	32	80	40	Φ 21	Φ 10.5	17	0- 6000	Infinite	5.8

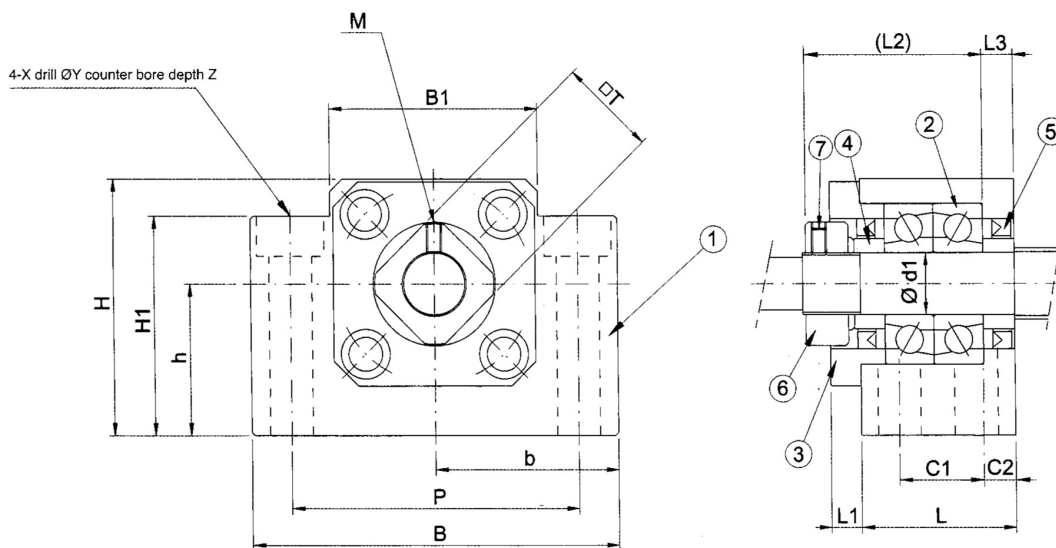
Type of slider	Width	Height 2	Length 2	Mounting holes Size S1*S2	Mounting holes
LGB6-61L-4UU	60	26	61	38*40	M5*8
LGB8-70L-4UU	60	26	70	40*50	M5*8
LGB8-100L-4UU	60	26	100	40*80	M6*10
LGB12-60L-2UU	82	36	60	54*39	M6*10
LGB12-100L-4UU	82	36	100	54*76	M6*10
LGB12-140L-6UU	82	36	140	54*115	M6*10
LGB12-160L-8UU	82	36	160	54*136	M6*10
LGB16-150L-4UU	120	46	150	90*120	M8*10
LGB16-180L-4UU	120	46	180	90*150	M8*10

The basic dynamic load	Basic static load	To/Kgf-m	Tx/Kgf-m	Ty/Kgf-m	Weight Kg-per
80	120	2.3	1.6	1.8	0.16
80	130	3.6	3	3.2	0.2
90	140	4.1	3.5	3.7	0.25
100	150	2.1	1.6	1.9	0.32
200	380	7.5	6	6.5	0.57
270	435	8.1	10.8	12.7	0.73
290	460	8.7	11.2	13.6	0.85
400	750	15.2	12.5	13.3	1.4
430	790	16.5	14.2	14.8	1.6

SUPPORT UNIT BK (fixed-side rectangular type)



Park No.	Part name	Qty
1	Housing	1
2	Bearing	1 set
3	Holding lid	1
4	Collar	2
5	Seal	2
6	Lock nut	1 set
7	Hexagon socket-head Setscrew(with set piece)	2

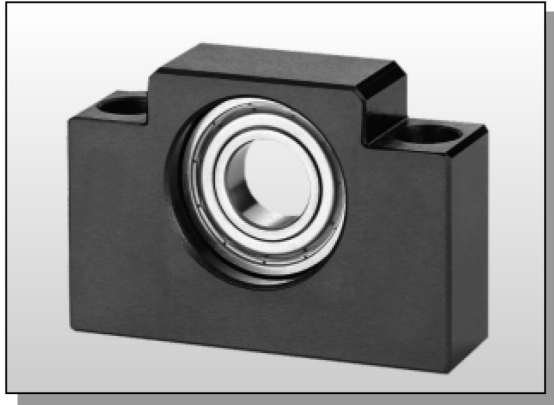


Unit : mm

Model No.	Shaft diameter d1	L	L1	L2	L3	B	H	b		B1	H1	P	C1	C2	X	Y	Z	M	T
								±0.02	±0.02										
BK10	10	25	5	29	5	60	39	30	22	34	32.5	46	13	6	6.6	10.8	5	M3	16
BK12	12	25	5	29	5	60	43	30	25	35	32.5	46	13	6	6.6	10.8	1.5	M3	19
BK15	15	27	6	32	6	70	48	35	28	40	38	54	15	6	6.6	11	6.5	M3	22
BK17	17	35	9	44	7	86	64	43	39	50	55	68	19	8	9	14	8.5	M4	24
BK20	20	35	8	43	8	88	60	44	34	52	50	70	19	8	9	14	8.5	M4	32
BK25	25	42	12	54	9	106	80	53	48	64	70	85	22	10	11	17.5	11	M5	35
BK30	30	45	14	61	9	128	89	64	51	76	78	102	23	11	14	20	13	M6	40
BK35	35	50	14	67	12	140	96	70	52	88	79	114	26	12	14	20	13	M8	50
BK40	40	61	18	76	15	160	110	80	60	100	90	130	33	14	18	26	17.5	M8	50

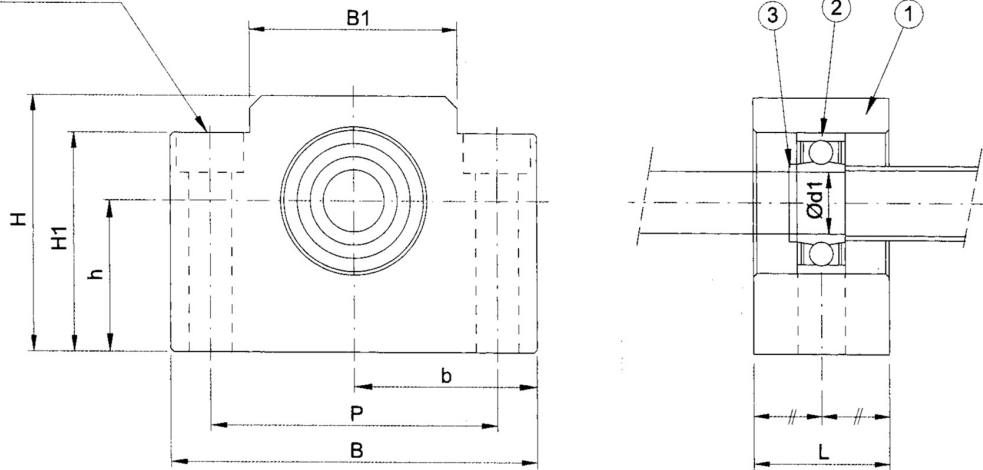
Surface Special treatment is available

SUPPORT UNIT BF (Supported-side rectangular type)



Park No.	Part name	Qty
1	Housing	1
2	Bearing	1 set
3	Snap ring	1

2-X drill ØY counter bore depth Z



Unit : mm

Model No.	Shaft diameter d1	L	B	H	b	h	B1	H1	P	X	Y	Z	Bearing	Snap ring
					±0.02	±0.02								
BF10	8	20	60	39	30	22	34	32.5	46	6.6	10.8	5	608ZZ	S8
BF12	10	20	60	43	30	25	35	32.5	46	6.6	10.8	1.5	6000ZZ	S10
BF15	15	20	70	48	35	28	40	38	54	6.6	11	6.5	6002ZZ	S15
BF17	17	23	86	64	43	39	50	55	68	9	14	8.5	6203ZZ	S17
BF20	20	26	88	60	44	34	52	50	70	9	14	8.5	6004ZZ	S20
BF25	25	30	106	80	53	48	64	70	85	11	17.5	11	6205ZZ	S25
BF30	30	32	128	89	64	51	76	78	102	14	20	13	6206ZZ	S30
BF35	35	32	140	96	70	52	88	79	114	14	20	13	6207ZZ	S35
BF40	40	37	160	110	80	60	100	90	130	18	26	17.5	6208ZZ	S40

Surface Special treatment is available

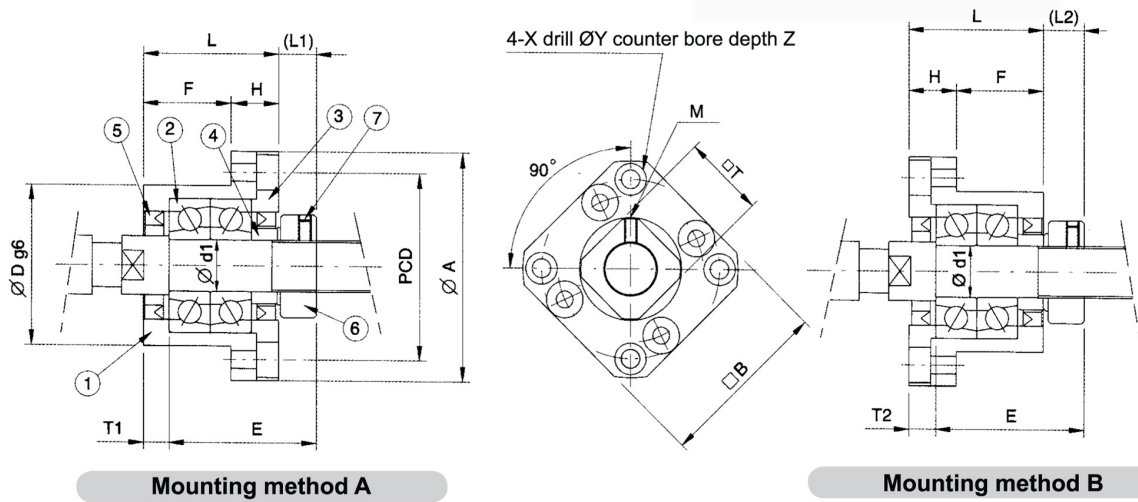
SUPPORT UNIT FK

(fixed-side rectangular type)

Park No.	Part name	Qty
1	Housing	1
2	Bearing	1 set
3	Holding lid	1
4	Collar	2
5	Seal	2
6	Lock nut	1 set
7	Hexagon socket-head Setscrew(with set piece)	2



FK10 ~ FK30



Unit : mm

Model No.	Shaft diameter d1	L	H	F	E	Dg6	A	PCD	B	Mounting method A		Mounting method B		X	Y	Z	M	T	
										L1	T1	L2	T2						
FK10	10	27	10	17	29.5	34	-0.009 -0.025	52	42	42	7.5	5	8.5	6	4.5	8	4	M4	16
FK12	12	27	10	17	29.5	36	-0.009 -0.025	54	44	44	7.5	5	8.5	6	4.5	8	4	M4	19
FK15	15	32	15	17	36	40	-0.009 -0.025	63	50	52	10	6	12	8	5.5	9.5	6	M4	22
FK17	17	45	22	23	47	50	-0.009 -0.025	77	62	61	11	9	14	12	6.6	11	10	M4	24
FK20	20	52	22	30	50	57	-0.010 -0.029	85	70	68	8	10	12	14	6.6	11	10	M4	30
FK25	25	57	27	30	60	63	-0.010 -0.029	98	80	79	13	10	20	17	9	15	13	M5	35
FK30	30	62	30	32	61	75	-0.010 -0.029	117	95	93	11	12	17	18	11	17.5	15	M6	40

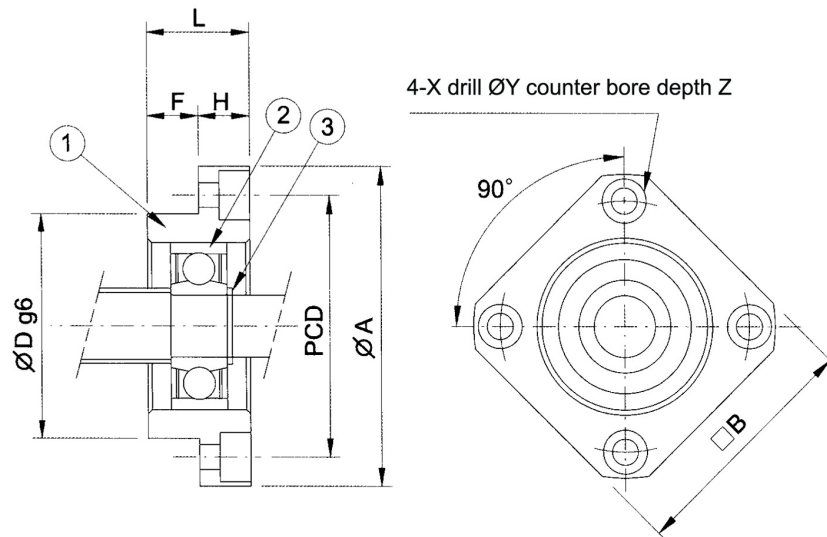
Surface special treatment is available.

SUPPORT UNIT FF



(Supported-side round type)

Park No.	Part name	Qty
1	Housing	1
2	Bearing	1 set
3	Snap ring	1

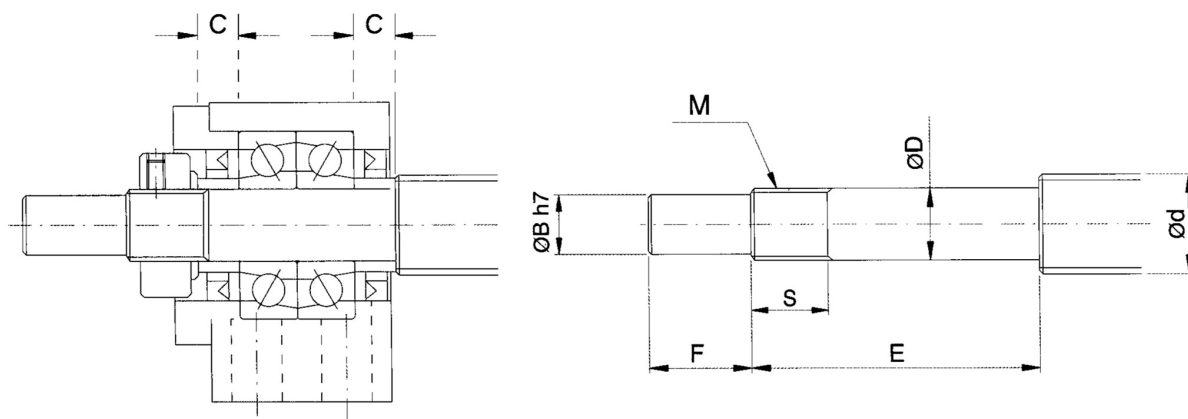


Unit : mm

Model No.	Shaft diameter d1	L	H	F	Dg6	A	PCD	B	X	Y	Z	Bearing	Snap ring
FF06	6	10	6	4	22 -0.007 -0.02	36	28	28	3.4	6.5	4	606ZZ	S 6
FF10	8	12	7	5	28 -0.007 -0.02	43	35	35	3.4	6.5	4	608ZZ	S 8
FF12	10	15	7	8	34 -0.009 -0.025	52	42	42	4.5	8	4	6000ZZ	S 10
FF15	15	17	9	8	40 -0.009 -0.025	63	50	52	5.5	9.5	5.5	6002ZZ	S 15
FF17	17	20	11	9	50 -0.009 -0.025	77	62	61	6.6	11	6.5	6203ZZ	S 17
FF20	20	20	11	9	57 -0.010 -0.029	85	70	68	6.6	11	6.5	6204ZZ	S 20
FF25	25	24	14	10	63 -0.010 -0.029	98	80	79	9	14	8.5	6205ZZ	S 25
FF30	30	27	18	9	75 -0.010 -0.029	117	95	93	11	17.5	11	6206ZZ	S 30

Surface special treatment is available.

RECOMMENDED SHAFT END MACHINING BK

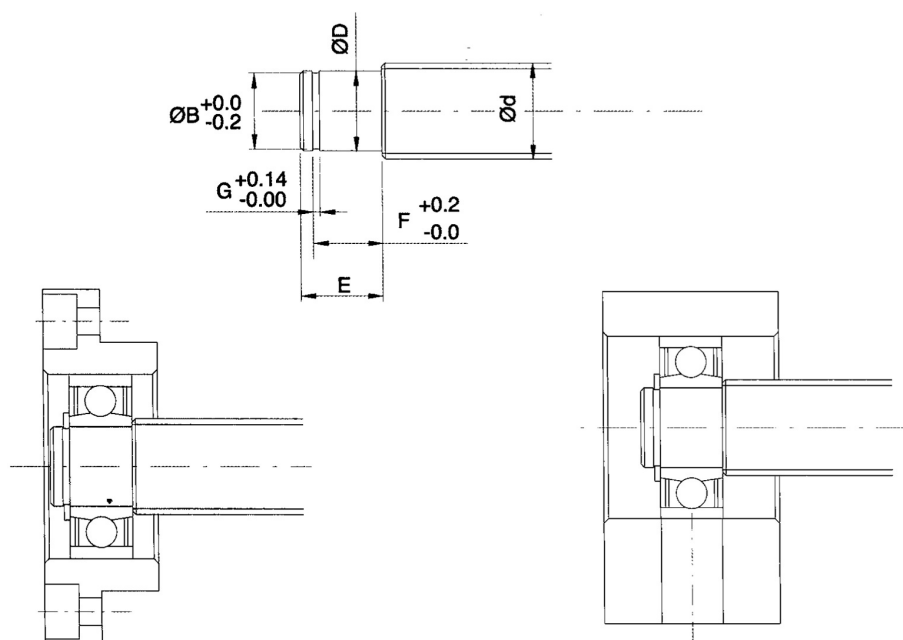


Type BK

Unit : mm

Support Unit Model No.	Ball screw Shaft OD	Shaft Support Portion OD	Metric Screw Thread					
			B	E	F	M	S	C
Type BK	d	D						
BK10	12/14/15	10 -0.005 -0.012	8	36	15	M10X1	16	5.5
BK12	14/15/16	12 -0.005 -0.012	10	36	15	M12X1	14	5.5
BK15	18/20	15 -0.005 -0.012	12	40	20	M15X1	12	6
BK17	20/25	17 -0.005 -0.014	15	53	23	M17X1	17	7
BK20	25/28	20 -0.005 -0.014	17	53	25	M20X1	15	8
BK25	32/36	25 -0.005 -0.014	20	65	30	M25X1.5	18	9
BK30	36/40	30 -0.005 -0.015	25	72	38	M30X1.5	25	9
BK35	45	35 -0.005 -0.015	30	81	45	M35X1.5	28	12
BK40	50	40 -0.005 -0.015	35	93	50	M40X1.5	35	15

RECOMMENDED SHAFT END MACHINING BF



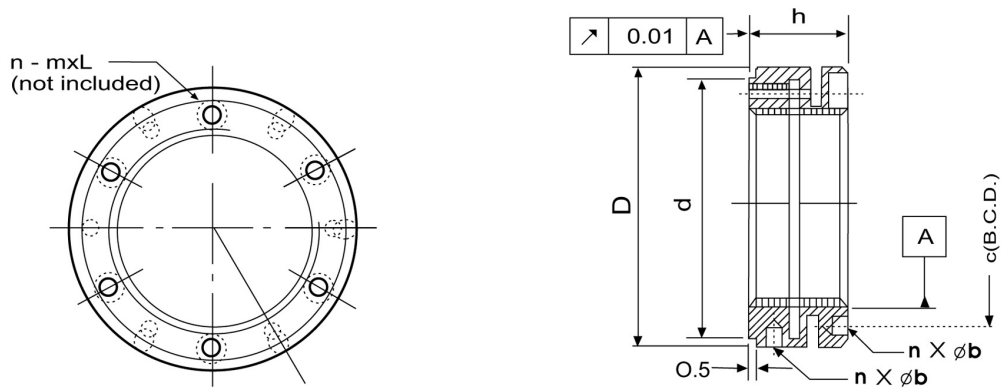
Type FF

Type BF.

Unit : mm

Support Unit Model No.		Ballscrew Shaft OD	Shaft Support Portion OD				
Type BF	Type FF	d	D	E	B	F	G
-	FF06	8	6 -0.005 -0.012	9	5.7	6.8	0.8
-	-	10	6 -0.005 -0.012	9	5.7	6.8	0.8
BF10	FF10	12/14/15	8 -0.005 -0.012	10	7.6	7.9	0.9
BF12	FF12	14/15/16	10 -0.005 -0.012	11	9.6	9.15	1.15
BF15	FF15	18/20	15 -0.005 -0.014	13	14.3	10.15	1.15
BF17	FF17	20/25	17 -0.005 -0.014	16	16.2	13.15	1.15
(BF20)Note	FF20	25/28/30	20 -0.005 -0.014	19(16)	19	15.35(13.35)	1.35
BF25	FF25	30/32/36	25 -0.005 -0.014	20	23.9	16.35	1.35
BF30	FF30	36/40	30 -0.005 -0.015	21	28.6	17.75	1.75
BF35	-	40/45	35 -0.005 -0.015	22	33	18.75	1.75
BF40	-	50	40 -0.005 -0.015	23	38	19.75	1.95

YSK SERIES LOCK NUTS

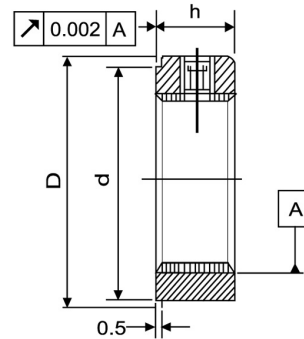
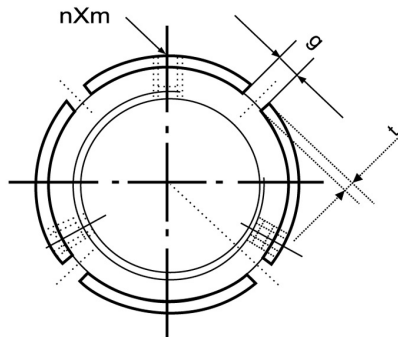


For Ball Screws & Spindles

Thread	D	h	d	n x m-l	b	c	Part NO.
YSK M 20X1.0	40	18	35	4 X M4-12	4 X ø4	30	YSK 20
YSK M 20X1.5	40	18	35	4 X M4-12	4 X ø4	30	YSK 20
YSK M 25X1.5	45	20	40	4 X M4-12	4 X ø5	35	YSK 25
YSK M 30X1.5	48		45	4 X M4-14		39	YSK 30
YSK M 35X1.5	53	22	50	4 X M4-16		44	YSK 35
YSK M 40X1.5	58		55	4 X M4-16	49	YSK 40	
YSK M 45X1.5	68	25	63	6 X M4-16	6 X ø6	57	YSK 45
YSK M 50X1.5	70		66	6 X M4-18		60	YSK 50
YSK M 55X2.0	75		71	6 X M4-18		65	YSK 55
YSK M 60X2.0	84	26	79	6 X M5-20	6 X ø7	72	YSK 60
YSK M 65X2.0	88	28	84	6 X M5-20		77	YSK 65
YSK M 70X2.0	95		89	6 X M5-20		82	YSK 70
YSK M 75X2.0	100	32	94	6 X M5-20	6 X ø8	87	YSK 75
YSK M 80X2.0	110		103	6 X M6-22		95	YSK 80
YSK M 85X2.0	115		108	6 X M6-22		100	YSK 85
YSK M 90X2.0	120	36	113	6 X M6-22	6 X ø8	105	YSK 90
YSK M 95X2.0	125		118	6 X M6-22		110	YSK 95
YSK M 100X2.0	130		123	6 X M6-22		115	YSK 100
YSK M 110X2.0	140	36	133	6 X M6-22	6 X ø8	125	YSK 110
YSK M 120X2.0	155		146	6 X M4-25		136	YSK 120

Remarks : (1) The data are for reference only. (2) 1 Nm = 10.2 kgf.cm=0.73lb.ft

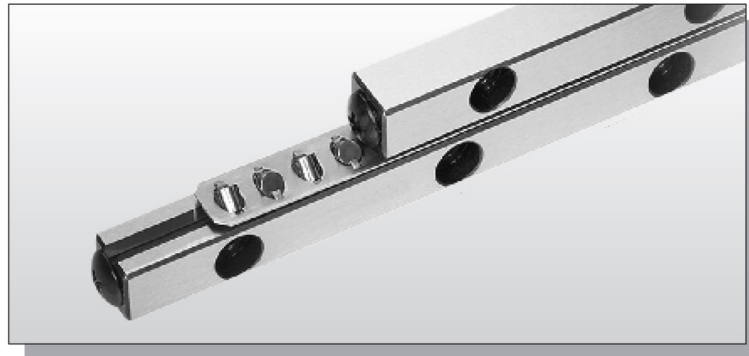
YSR SERIES LOCK NUTS



Thread	D	h	g	t	d	n X m	Max. Nm
YSR M 8X0.75	16	8	3	2	11	2 X M4	3.5
YSR M 10X0.75	18				13		
YSR M 12X1	20				16		
YSR M 15X1	25				21		
YSR M 17X1	28	10	4	2	23	2 X M5	8.0
YSR M 20X1	32				27	3 X M5	8.0
YSR M 20X1.5	38	12	5	2	27	3 X M6	8.0
YSR M 25X1.5	45				33		
YSR M 30X1.5	52				40		
YSR M 35X1.5	58				47		
YSR M 40X1.5	65	14	6	2.5	52	3 X M8	8.0
YSR M 45X1.5	65				59		
YSR M 50X1.5	70	16	7	3	64		
YSR M 55X2	75				68		
YSR M 60X2	80	18	8	3.5	73	3 X M8	18.0
YSR M 65X2	85				78		
YSR M 70X2	92				84		
YSR M 75X2	98				90		
YSR M 80X2	105	20	10	4	96	3 X M8	18.0
YSR M 85X2	110				102		
YSR M 90X2	120	22	12	5	108		
YSR M 95X2	125				113		
YSR M 100X2	130	24	12	5	118	3 X M8	18.0
YSR M 105X2	140				125		
YSR M 110X2	145				132		
YSR M 115X2	150				137		
YSR M 120X2	155	26	14	6	142	3 X M10	35
YSR M 125X2	160				147		
YSR M 130X2	165	28	16	7	152		
YSR M 135X3	175				160		
YSR M 140X3	180	30	18	8	165	3 X M12	60.0
YSR M 145X3	190				175		
YSR M 150X3	195				180		
YSR M 155X3	200				180		
YSR M 160X3	210	32	18	8	190	3 X M12	60.0
YSR M 165X3	210				190		
YSR M 170X3	220				200		
YSR M 180X3	230				205		
YSR M 190X3	240				215		
YSR M 200X3	250				225		

Remarks:(1) The data are for reference only. (2) 1 Nm= 10.2kgf.cm=0.73lb.ft

CROSS ROLLER GUIDES



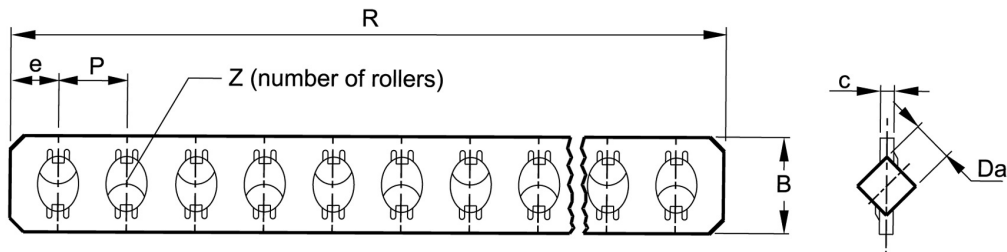
Model No.	Roller diameter (ball diameter) Da	Main dimensions											Mass (Ref)			
		A	H	W	g	M	d1	d2	h	R	Length L [Number of rollers per roller cage (Z)]	F	E	Way ⁽¹⁾ kg/m	Roller Cage ⁽²⁾ g	t
R 3	3	18	8	8.3	3.5	M4	3.3	6	3.1	(1) 42, (2) 62, (3) 82, (4) 102, (5) 122, (6) 142, (7) 162, (8) 182, (9) 202, (10) 222, (11) 242	(1) 50(8), (2) 75(12), (3) 100(16), (4) 125(20), (5) 150(24), (6) 175(28), (7) 200(32), (8) 225(36), (9) 250(40), (10) 275(44), (11) 300(48)	25	12.5	0.5	2.96	2
R 4	4	22	11	10	4.5	M5	4.3	7.5	4.1	(1) 73, (2) 101, (3) 136, (4) 164, (5) 199, (6) 227, (7) 262, (8) 297, (9) 325, (10) 360, (11) 388	(1) 80(10), (2) 120(14), (3) 160(19), (4) 200(23), (5) 240(28), (6) 280(32), (7) 320(37), (8) 360(42), (9) 400(46), (10) 440(51), (11) 480(55)	40	20	0.82	6.91	
R 6	6	31	15	14	6	M6	5.3	9.5	5.2	(1) 84, (2) 129, (3) 165, (4) 210, (5) 246, (6) 282, (7) 327, (8) 363, (9) 408, (10) 444, (11) 489	(1) 100(9), (2) 150(14), (3) 200(18), (4) 250(23), (5) 300(27), (6) 350(31), (7) 400(36), (8) 450(40), (9) 500(45), (10) 550(49), (11) 600(54)	50	25	1.57	20.3	3
R 9	9	44	22	20.2	9	M8	6.8	10.5	6.2	(1) 173, (2) 257, (3) 327, (4) 411, (5) 495, (6) 565, (7) 649, (8) 733, (9) 817, (10) 887, (11) 971	(1) 200(9), (2) 300(14), (3) 400(18), (4) 500(23), (5) 600(27), (6) 700(31), (7) 800(36), (8) 900(40), (9) 1000(45), (10) 1100(49), (11) 1200(54)	100	50	3.3	64.8	
R 12	12	58	28	26.9	12	M10	8.5	13.5	8.2	(1) 168, (2) 258, (3) 330, (4) 420, (5) 492, (6) 564, (7) 654, (8) 726, (9) 816, (10) 888, (11) 978	(1) 200(9), (2) 300(14), (3) 400(18), (4) 500(23), (5) 600(27), (6) 700(31), (7) 800(36), (8) 900(40), (9) 1000(45), (10) 1100(49), (11) 1200(54)			5.57	9.46	

Note:- The values in brackets for the dimension A show the dimensions for combination with the Ball cage type B.

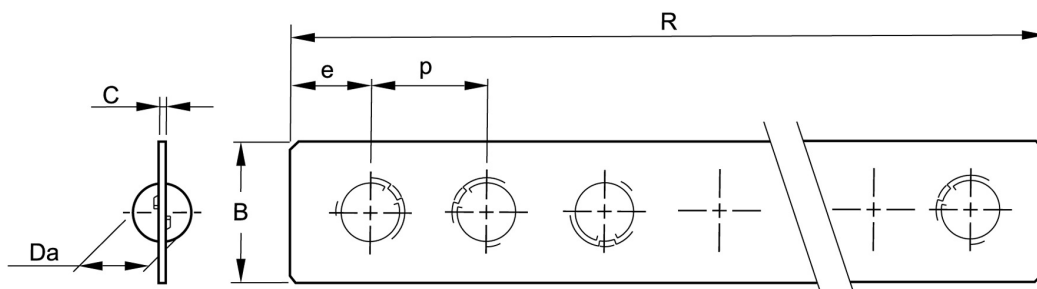
⁽¹⁾ This value shows mass per one meter for individual way.

⁽²⁾ This value shows mass of one roller cage in which ten rollers are incorporated.

CROSS ROLLER GUIDES



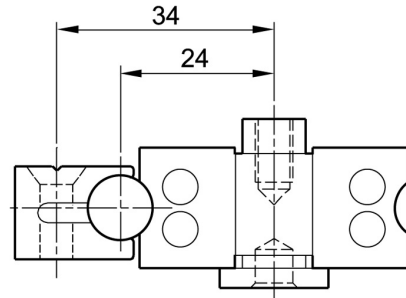
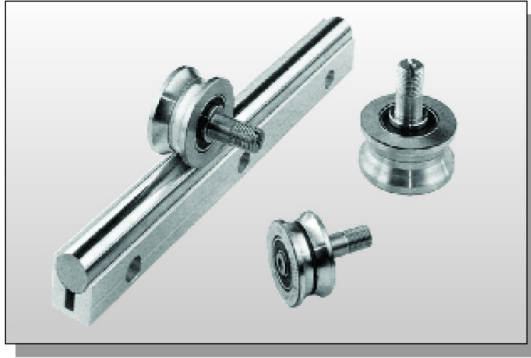
Model No.	Main dimensions					Basic load rating (for one roller)		Permissible preload amount <u>Mm</u>
	Da	c	B	P	e	C kg	Coz kg	
R 3	3	0.3	7	5	3.5	37	28	-4
R 4	4		10.5	7	5	78	65	-5
R 6	6	0.6	13.5	9	6	195	180	-7
R 9	9	1	19	14	9.5	440	445	-10
R 12	12		25	18	12	740	780	-13



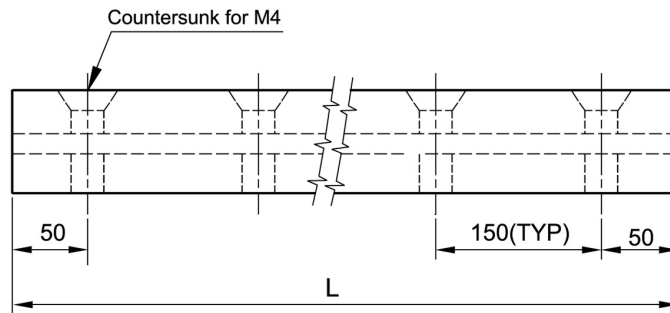
Model No.	Main dimensions					Basic load rating (for one ball)	
	Da	C	B	P	e	C kg	Co kg
B 3	3	0.8	7	6	4.5	2.8	8.9
B 4	4	0.4	10.5	7		4.6	15.8
B 6	6	0.6	13.5	10	6	10	36
B 9	9.525	1	19	14	8.5	22	80
B 12	11.906		25	20	12.5	33	145

LFI SERIES - LFI 10 S

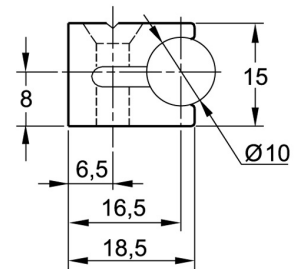
LFI 10 S Accessories



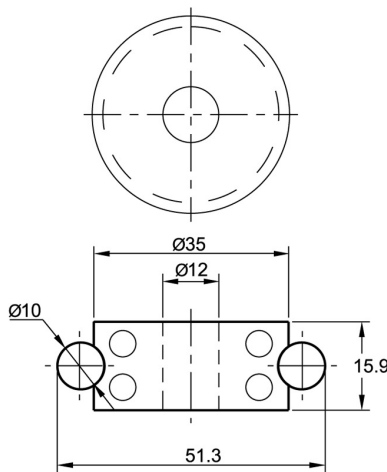
LFI 10 S Assembly



Max. Length in single element = 2000 mm.

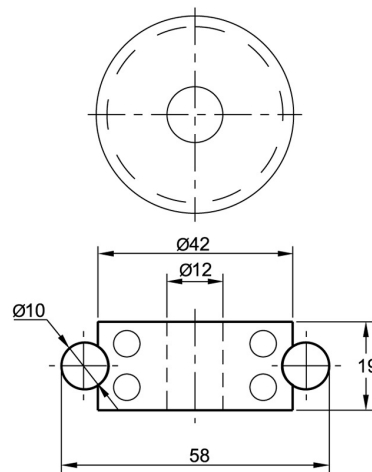


LFI 10 S



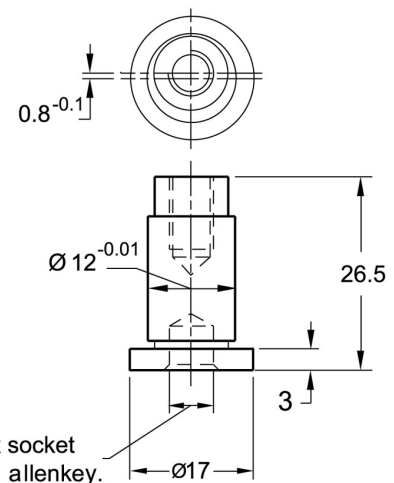
LFR 5201 KDD BEARING

BEARING RATING (KG)	
Dynamic	Static
C	C ₀
1200	710



LFR 5301 KDD BEARING

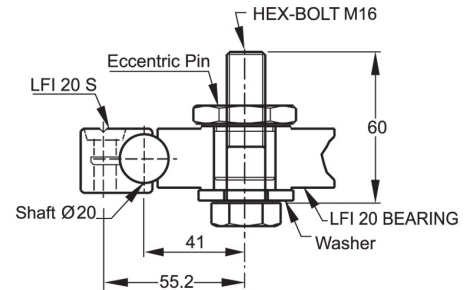
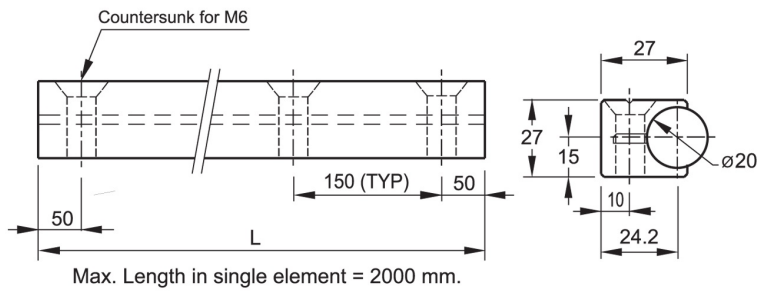
BEARING RATING (KG)	
Dynamic	Static
C	C ₀
1200	710



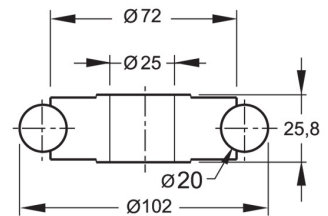
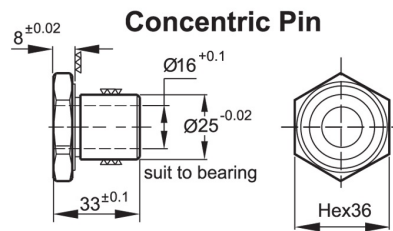
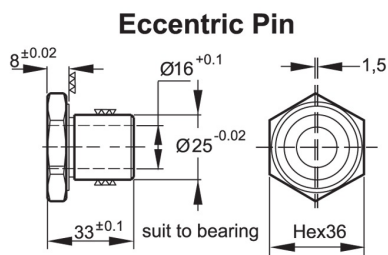
Hex socket
6mm allenkey.
6 DEEP,

ECCENTRIC PIN

LFI SERIES - LFI 20 S



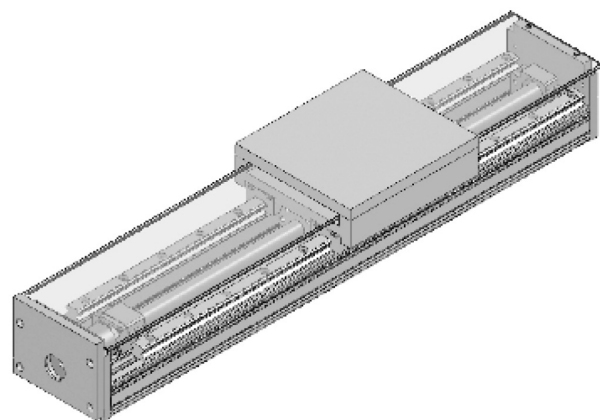
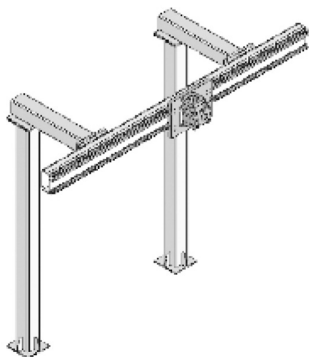
LFI 20 S ASSEMBLY



LFI/LFR 20 BEARING

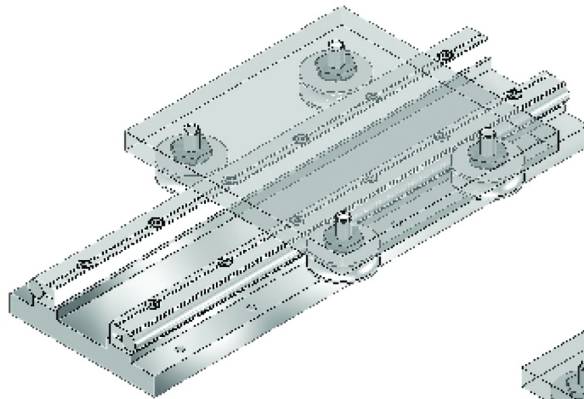
BEARING RATING (KG)	
Dynamic	Static
C	C ₀
2200	1200

APPLICATION EXAMPLES

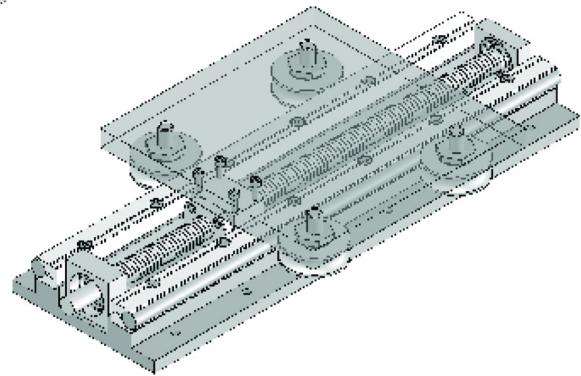


LFI SERIES EXAMPLES

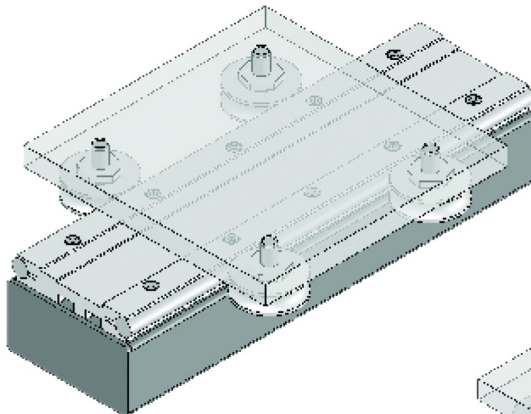
LFI 20 S
Track roller assembly



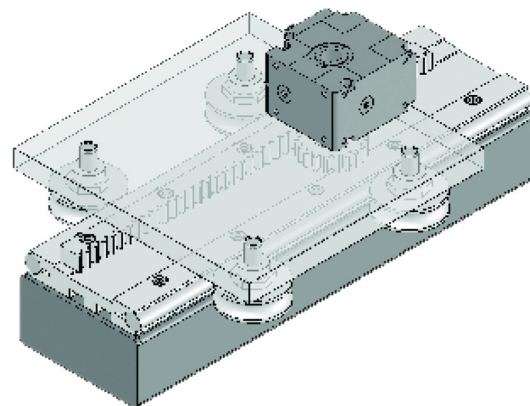
LFI 20 S
Ball screw assembly

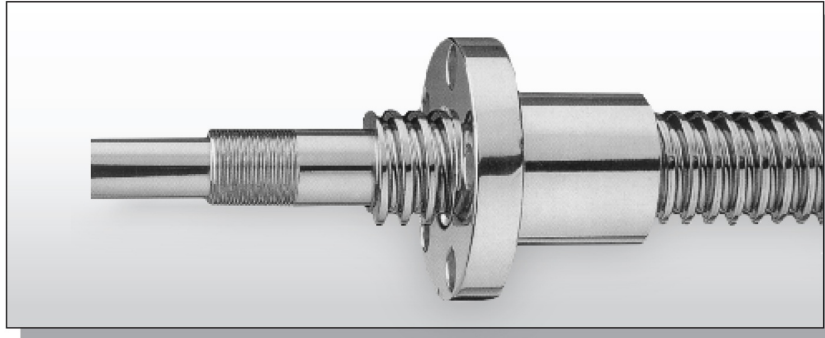


LFI 20 D
Track roller assembly



LFI 20 D
Rack & Pinion with
Gear Box Drive





FEATURES TRAPEZOIDAL SCREWS AND NUTS

Trapezoidal screws are precision rolled. Continuous search for improvement and many years of experience in the development of the cold plastic deformation process which characterizes rolling allow us to offer our customers trapezoidal screws with excellent features.

MATERIALS

Steel used in trapezoidal screws		After Rolling
C15E - 1.1141 EN 10084 - C15E	Carbon Steel	160/180 HB
1C45 - 1.0503 EN 10083 - 1C45	Carbon Steel	App. 250 HB
A2 - 1.4301 - X5CrNi18-10 EN 10088	Stainless steel	App. 260 HB
A4 - AISI 316 1.4401 X5CrNiMo17-12-2 EN 10088	Stainless steel	App. 280 Hb

C45 and A2 stainless steel were chosen because in addition to their natural qualities as good construction materials, after rolling they give very good surface hardness and finish on the thread sides. A4 stainless steel also has excellent corrosion resistance. C15 is an excellent quality - price compromise. After rolling, the C15 has surface hardness of approximately 160/180 HB, C45 approximately 250 HB, A2 Stainless approximately 260 HB and A4 stainless approximately 280 HB while roughness is less than 1 m Ra for all.

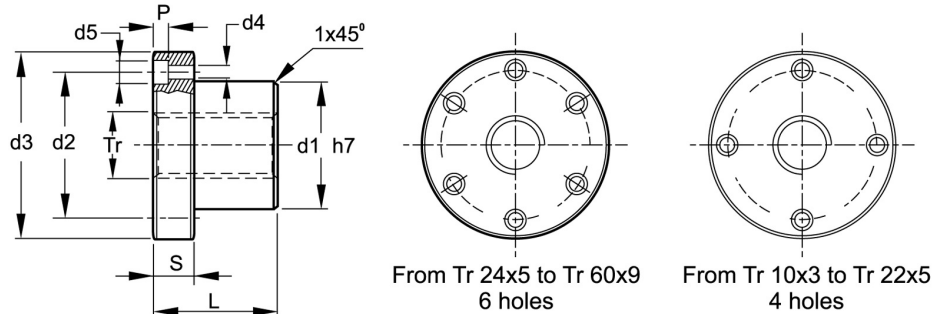
These two features are decisive factors for qualitative appraisal of trapezoidal screws because they give very

small friction coefficients, much lower than those obtainable with machined screws where other conditions such as speed, load and lubrication are equal. Our trapezoidal screws with bronze nuts give traversing systems with efficiency, and quietness compared with coupling with machined screws because of the low friction coefficient the amount of heat generated during movement is limited with resulting smaller nut heating. Nut life is also increased. We make nuts with 10 kinds of material to better meet the various requirements.

TRAPEZOIDAL SCREW TYPE KQX LEAD ACCURACY 200 - STEEL C15 1. 1141

Stock no. for screw RIGHT	Stock no. for screw LEFT	Diameter x Lead	Thread starts	Lead accuracy $\mu\text{m} / 300 \text{ mm}$	Straightness mm / mm	Weight kg / mt
KQX 10 A R	KQX 10 A L	Tr 10x3	1	200	0.7 / 1000	0.42
KQX 12 A R	KQX 12 A L	Tr 12x3				0.65
KQX 12 B R	--	Tr 12x6 (P3)				0.86
KQX 14 A R	KQX 14 A L	Tr 14x4	1		0.7 / 1500	1.17
KQX 16 A R	KQX 16 A L	Tr 16x4				1.53
KQX 16 B R	--	Tr 16x8 (P4)	2		0.6 / 2000	1.94
KQX 18 A R	KQX 18 A L	Tr 18x4	1			1.84
KQX 20 A R	KQX 20 A L	Tr 20x4				2.29
KQX 20 B R	--	Tr 20x8 (P4)	2		0.4 / 2000	2.79
KQX 20 D R	--	Tr 20x20 (P5)	4			3.05
KQX 22 A R	KQX 22 A L	Tr 22x5	1		0.4 / 3000	3.33
KQX 24 A R	KQX 24 A L	Tr 24x5				3.92
KQX 25 A R	KQX 25 A L	Tr 25x5				4.38
KQX 25 B R	--	Tr 25x10 (P5)	2		0.3 / 3000	4.57
KQX 25 E R	--	Tr 25x25 (P5)	5			5.06
KQX 26 A R	KQX 26 A L	Tr 26x5	1			6.16
KQX 28 A R	KQX 28 A L	Tr 28x5			6.56	
KQX 28 B R	--	Tr 28x10 (P5)	2		8.03	
KQX 30 A R	KQX 30 A L	Tr 30x6	1		0.3 / 3000	7.90
KQX 30 B R	--	Tr 30x12 (P6)				9.90
KQX 30 F R	--	Tr 30x30 (P5)	6		10.23	
KQX 32 A R	KQX 32 A L	Tr 32x6	1		0.3 / 3000	12.90
KQX 35 A R	KQX 35 A L	Tr 35x6				15.51
KQX 36 A R	KQX 36 A L	Tr 36x6				18.74
KQX 40 A R	KQX 40 A L	Tr 40x7	1		0.3 / 3000	25.80
KQX 40 B R	--	Tr 40x14 (P7)				34.39
KQX 40 E R	--	Tr 40x40 (P8)	5			
KQX 44 A R	KQX 44 A L	Tr 44x7	1		0.3 / 3000	9.90
KQX 45 A R	KQX 45 A L	Tr 45x8				10.23
KQX 50 A R	KQX 50 A L	Tr 50x8				12.90
KQX 55 A R	--	Tr 55x9	1	0.3 / 3000	15.51	
KQX 60 A R	KQX 60 A L	Tr 60x9			18.74	
KQX 70 A R	--	Tr 70x10	1	0.3 / 3000	25.80	
KQX 80 A R	--	Tr 80x10			34.39	

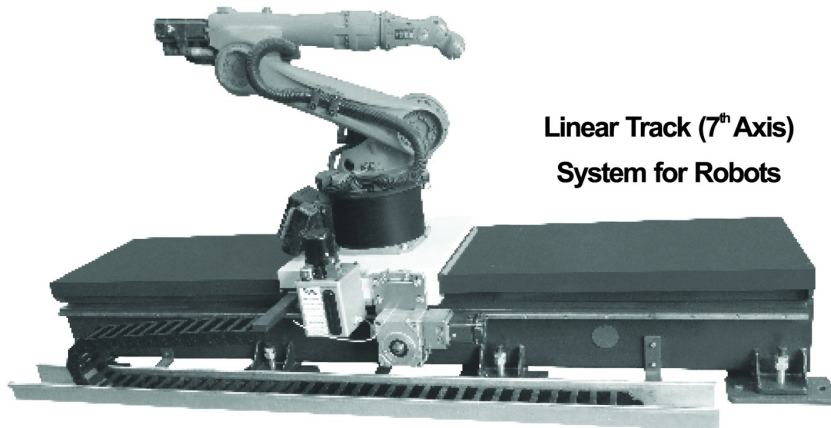
TRAPEZOIDAL NUT TYPE FTN-FLANGED BRONZE



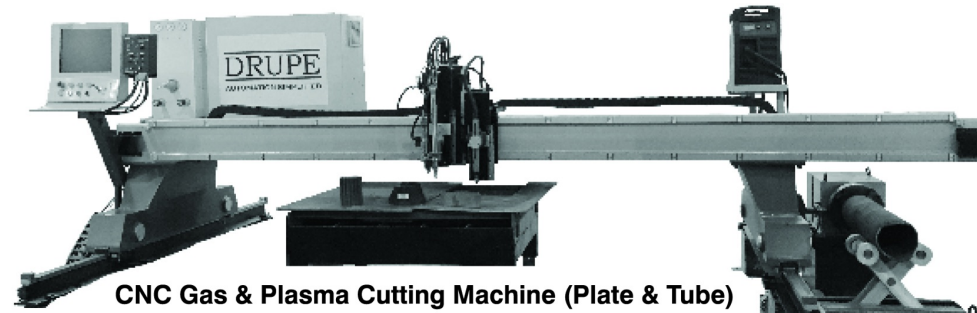
Nut stock no. RIGHT	Nut stock no. LEFT	Diameter x Lead	Thread starts	d1	d2	d3	d4	d5	P	L	S	no. screw holes	Fastening screw holes	Wt. kg/cad.	At mm ² (1)						
FTN 10 A R	FTN 10 A L	Tr 10x3	1	18	26	37	4.5	7.5	4.2	22	8	4	M4	0.088	294						
FTN 12 A R	FTN 12 A L	Tr 12x3												0.082	362						
FTN 14 A R	FTN 14 A L	Tr 14x4		20	30	42	5.5	9	5.2	25	10		6	M5	0.123	470					
FTN 16 A R	FTN 16 A L	Tr 16x4													0.149	660					
FTN 18 A R	FTN 18 A L	Tr 18x4		22	32	45	5.5	9	5.2	30	10			6	M5	0.188	880				
FTN 20 A R	FTN 20 A L	Tr 20x4														0.267	1130				
FTN 22 A R	FTN 22 A L	Tr 22x5		25	35	48	6.5	11	6.5	35	12		6		M6	0.247	1225				
FTN 25 A R	FTN 25 A L	Tr 25x5														30	40	52	6.5	11	6.5
FTN 28 A R	FTN 28 A L	Tr 28x5		35	48	62	6.5	11	6.5	45	12	6		M6	0.532						
FTN 30 R R	FTN 30 R L	Tr 30x3													40	53	68	6.5	11	6.5	50
FTN 30 Q R	FTN 30 Q L	Tr 30x4		40	53	68	6.5	11	6.5	50	12			6							
FTN 30 P R	FTN 30 P L	Tr 30x5													40	53	68	6.5	11	6.5	50
FTN 30 A R	FTN 30 A L	Tr 30x6		40	53	68	6.5	11	6.5	50	12										
FTN 35 R R	FTN 35 R L	Tr 35x3													50	63	78	8.5	14	8.5	60
FTN 35 Q R	FTN 35 Q L	Tr 35x4		50	63	78	8.5	14	8.5	60	15		6								
FTN 35 P R	FTN 35 P L	Tr 35x5													50	63	78	8.5	14	8.5	60
FTN 35 A R	FTN 35 A L	Tr 35x6		50	63	78	8.5	14	8.5	60	15	6									
FTN 35 M R	-	Tr 35x8													55	68	84	8.5	14	8.5	65
FTN 40 R R	FTN 40 R L	Tr 40x3		55	68	84	8.5	14	8.5	65	15			6							
FTN 40 Q R	FTN 40 Q L	Tr 40x4													55	68	84	8.5	14	8.5	65
FTN 40 P R	FTN 40 P L	Tr 40x5		55	68	84	8.5	14	8.5	65	15										
FTN 40 O R	FTN 40 O L	Tr 40x6													55	68	84	8.5	14	8.5	65
FTN 40 A R	FTN 40 A L	Tr 40x7		55	68	84	8.5	14	8.5	65	15		6								
FTN 40 M R	-	Tr 40x8													72	90	100	10.5	17	10.5	80
FTN 45 A R	FTN 45 A L	Tr 45x8		65	80	100	10.5	17	10.5	80	20	6									
FTN 50 R R	FTN 50 R L	Tr 50x3													65	80	100	10.5	17	10.5	80
FTN 50 Q R	FTN 50 Q L	Tr 50x4		65	80	100	10.5	17	10.5	80	20			6							
FTN 50 P R	FTN 50 P L	Tr 50x5													65	80	100	10.5	17	10.5	80
FTN 50 O R	FTN 50 O L	Tr 50x6		65	80	100	10.5	17	10.5	80	20										
FTN 50 A R	FTN 50 A L	Tr 50x8													65	80	100	10.5	17	10.5	80
FTN 55 A R	-	Tr 55x9		75	95	120	12.5	19	12.5	100	25		6								
FTN 60 O R	FTN 60 O L	Tr 60x6													75	95	120	12.5	19	12.5	100
FTN 60 N R	FTN 60 N L	Tr 60x7		75	95	120	12.5	19	12.5	100	25	6									
FTN 60 A R	FTN 60 A L	Tr 60x9													75	95	120	12.5	19	12.5	100

(1) Total bearing surface between screw and nut teeth on plan perpendicular to axis.
Note: These Nuts can be supplied which are manufactured indigenously.

APPLICATION

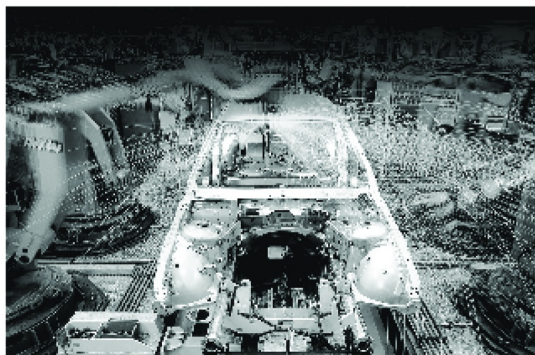


**Linear Track (7th Axis)
System for Robots**



CNC Gas & Plasma Cutting Machine (Plate & Tube)

ASM POSITION SENSOR APPLICATION

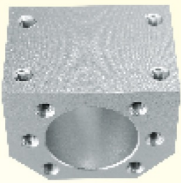




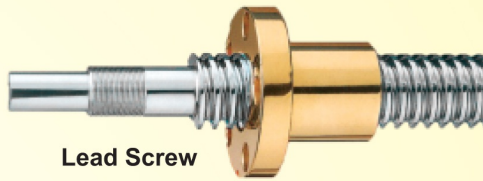
Servoflex Couplings



Starflex Couplings



Ball Screw Nut Housing



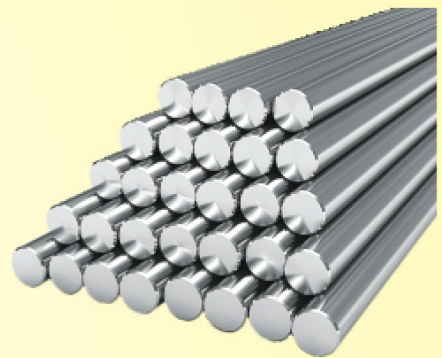
Lead Screw



End Supports



Wide range of Linear Bearings



Shafts

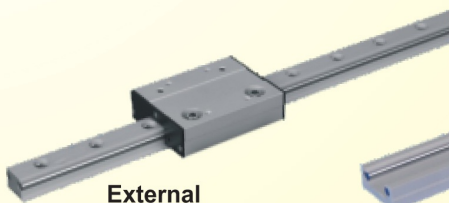


Ball Screw Support Unit BK Type

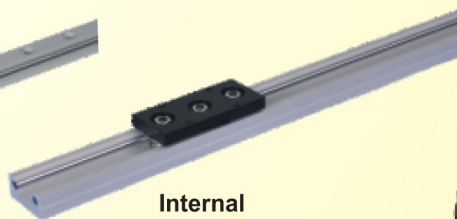


Ball Screw Support Unit BF Type

Precision Locknuts for Bearings

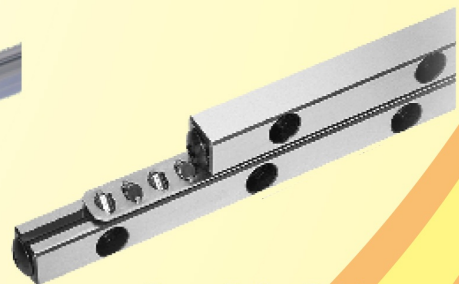


External



Internal

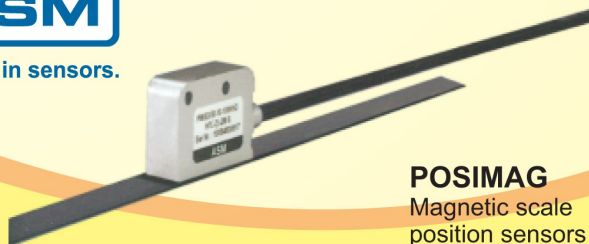
SB Track Roller Guideways



Cross Roller Guides



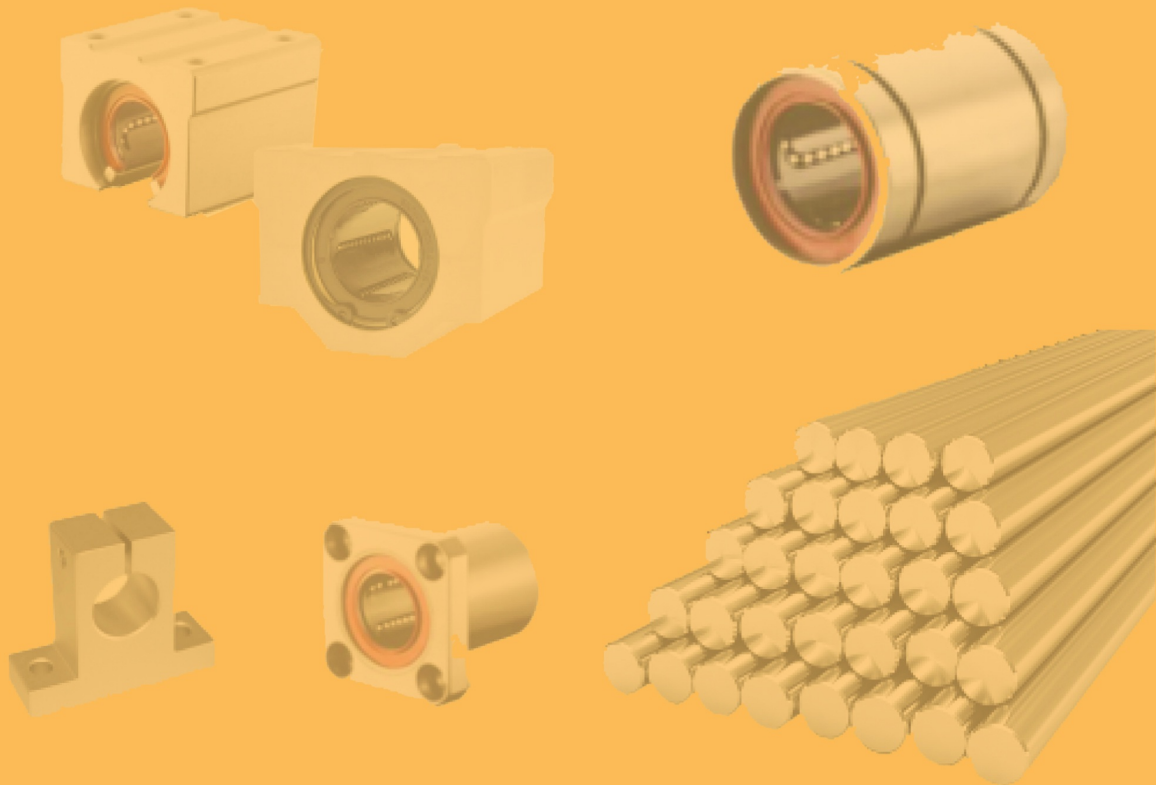
perfect in sensors.



POSIMAG
Magnetic scale
position sensors



WS Series
Cable Actuated
Position Sensors



CONTACT US

Orbit Engineering Enterprises
180-A-12&13, NSP Complex,
Dr.Nanjappa Road, Coimbatore - 641 018,
Tamilnadu, India.

Phone : 0422 2387754, 4395222



+91 78110 47655

+91 94430 47007



oee.cbe@gmail.com